

DVD Player

DVP1120

Service

DVP1120/55/93/98

Service

Service



Service Manual

TABLE OF CONTENTS

	Chapter
. Technical Specifications.....	1-2
. Safety Instructions, Warnings, Notes.....	1-3
. Mechanical and Dismantling Instructions.....	2-1
. Region Code, Software Version & Upgrades.....	3-1
. Trouble Shooting Chart.....	4-1
. Wiring Diagram.....	5-1
. Electrical Diagrams and Print-layouts.....	6-1
. Set Mechanical Exploded view & Packing view.....	7-1
. Revision List.....	8-1

Copyright 2007 Philips Consumer Electronics B.V. Eindhoven, The Netherlands
All rights reserved. No part of this publication may be reproduced, stored in a retrieval system or transmitted, in any form or by any means, electronic, mechanical, photocopying, or otherwise without the prior permission of Philips.

Published by KC-ET0743 Service Audio Printed in The Netherlands Subject to modification

Version 1.1

**CLASS 1
LASER PRODUCT**

GB 3139 785 33061

PHILIPS

Technical Specifications

TV STANDARD

	(PAL/50Hz)	(NTSC/60Hz)
Number of lines	625	525
Playback	Multistandard	(PAL/NTSC)

VIDEO PERFORMANCE

Video DAC	12 bit, 108 MHz
Y Pb Pr	0.7 V _{pp} ~ 75 ohm
Video Output	1 V _{pp} ~ 75 ohm

VIDEO FORMAT

Digital	MPEG 2 for DVD, SVCD
Compression	MPEG 1 for VCD

DVD	50 Hz	60 Hz
Horiz. resolution	720 pixels	720 pixels
Vertical resolution	576 lines	480 lines

VCD	50 Hz	60 Hz
Horiz. resolution	352 pixels	352 pixels
Vertical resolution	288 lines	240 lines

AUDIO FORMAT

Digital	MPEG/ AC-3/ PCM	compressed Digital 16, 20, 24 bits fs, 44.1, 48, 96 kHz
	MP3 (ISO 9660)	96, 112, 128, 256 kbps & variable bit rate fs, 32, 44.1, 48 kHz

Analog Sound Stereo
Dolby Surround compatible downmix from Dolby
Digital multi-channel sound

AUDIO PERFORMANCE

DA Converter	24 bit, 192 kHz
DVD	fs 96 kHz 4 Hz - 44 kHz
	fs 48 kHz 4 Hz - 22 kHz
SVCD	fs 48 kHz 4 Hz - 22 kHz
	fs 44.1kHz 4 Hz - 20 kHz
CD/VCD	fs 44.1kHz 4 Hz - 20 kHz
Signal-Noise (1kHz)	> 90 dB
Dynamic range(1kHz)	> 80 dB
Crosstalk (1kHz)	> 70 dB
Distortion/noise (1kHz)	> 65 dB
MPEG MP3	MPEG Audio L3

CONNECTIONS

Y Pb Pr Output	Cinch 3x
Video Output cum	
Audio Output*(L+R)	3.5mm jack (1x)
Digital Output	1 coaxial IEC60958 for CDDA / LPCM IEC61937 for MPEG 1/2, Dolby Digital

* Audio and Video output share one jack at the rear panel of this unit.

CABINET

Dimensions (w x h x d)	250 x 52 x 250 mm
Weight	Approximately 0.879 kg

POWER CONSUMPTION

Power Supply Rating	110 V – 240 V; 50/60 Hz
Power consumption	< 10 W
Power consumption in Standby mode	< 1 W


Specifications are subject to change without prior notice.

Safety instructions, Warnings, Notes

Safety instructions

1. General safety

Safety regulations require that during a repair:

- . Connect the unit to the mains via an isolation transformer.
- . Replace safety components indicated by the symbol , only by components identical to the original ones. Any other component substitution (other than original type) may increase risk of fire or electrical shock hazard.

Safety regulations require that after a repair, you must return the unit in its original condition. Pay, in particular, attention to the following points:

- . Route the wires/cables correctly, and fix them with the mounted cable clamps.
- . Check the insulation of the mains lead for external damage.
- . Check the electrical DC resistance between the mains plug and the secondary side:
 - 1) Unplug the mains cord, and connect a wire between the two pins of the mains plug.
 - 2) Set the mains switch the "on" position (keep the mains cord unplug).
 - 3) Measure the resistance value between the mains plug and the front panel, controls, and chassis bottom.
 - 4) Repair or correct unit when the resistance measurement is less than $1M\Omega$.
 - 5) Verify this, before you return the unit to the customer/user (ref. UL-standard no. 1492).
 - 6) Switch the unit "off", and remove the wire between the two pins of the mains plug.

2.Laser safety

This unit employs a laser. Only qualified service personnel may remove the cover, or attempt to service this device (due to possible eye injury).

Laser device unit

Type : Semiconductor laser GaAlAs

Wavelength : 650nm (DVD)

: 780nm (VCD/CD)

Output power : 7mW (VCD/CD)

: 10mW (DVD)

Beam divergence: 60 degree

Note: Use of controls or adjustments or performance of procedure other than those specified herein, may result in hazardous radiation exposure. Avoid direct exposure to beam.

Warnings

1. General

. All ICs and many other semiconductors are susceptible to electrostatic discharges (ESD). Careless handling during repair can reduce life drastically. Make sure that, during repair, you are at the same potential as the mass of the set by a wristband with resistance. Keep components and tools at this same potential. Available ESD protection equipment:

- 1) Complete kit ESD3 (small tablemat, wristband, connection box, extension cable and earth cable) 4822 310 10671.
- 2) Wristband tester 4822 344 13999.

. Be careful during measurements in the live voltage section. The primary side of the power supply, including the heat sink, carries live mains voltage when you connect the player to the mains (even when the player is "off!"). It is possible to touch copper tracks and/or components in this unshielded primary area, when you service the player. Service personnel must take precautions to prevent touching this area or components in this area. A "lighting stroke" and a stripe-marked printing on the printed wiring board, indicate the primary side of the power supply.

. Never replace modules, or components, while the unit is "on".

2. Laser

- . The use of optical instruments with this product, will increase eye hazard.
- . Only qualified service personnel may remove the cover or attempt to service this device, due to possible eye injury.
- . Repair handling should take place as much as possible with a disc loaded inside the player.
- . Text below is placed inside the unit, on the laser cover shield:


**CAUTION: VISIBLE AND INVISIBLE LASER
RADIATION WHEN OPEN, AVOID EXPOSURE
TO BEAM.**

Notes: Manufactured under licence from Dolby Laboratories. The double-D symbol is trademarks of Dolby Laboratories, Inc. All rights reserved.

Warnings, Notes

Lead-Free requirement for service

IDENTIFICATION:

Regardless of special logo (not always indicated) 

One must treat all sets from 1.1.2005 onwards, according next rules.

Important note: In fact also products a little older can also be treated in this way as long as you avoid mixing solder-alloys (leaded/ lead-free). So best to always use SAC305 and the higher temperatures belong to this.

Due to lead-free technology some rules have to be respected by the workshop during a repair:

- Use only lead-free solder alloy Philips SAC305 with order code 0622 149 00106. If lead-free solder-paste is required, please contact the manufacturer of your solder-equipment. In general use of solder-paste within workshops should be avoided because paste is not easy to store and to handle.
- Use only adequate solder tools applicable for lead-free solder alloy. The solder tool must be able
 - To reach at least a solder-temperature of 400°C,
 - To stabilize the adjusted temperature at the solder-tip
 - To exchange solder-tips for different applications.
- Adjust your solder tool so that a temperature around 360°C – 380°C is reached and stabilized at the solder joint. Heating-time of the solder-joint should not exceed ~ 4 sec. Avoid temperatures above 400°C otherwise wear-out of tips will rise drastically and flux-fluid will be destroyed. To avoid wear-out of tips switch off un-used equipment, or reduce heat.
- Mix of lead-free solder alloy / parts with leaded solder alloy / parts is possible but PHILIPS recommends strongly to avoid mixed solder alloy types (leaded and lead-free). If one cannot avoid, clean carefully the solder-joint from old solder alloy and re-solder with new solder alloy (SAC305).

- Use only original spare-parts listed in the Service-Manuals. Not listed standard-material (commodities) has to be purchased at external companies.
- Special information for BGA-ICs:
 - always use the 12nc-recognizable soldering temperature profile of the specific BGA (for de-soldering always use highest lead-free temperature profile, in case of doubt)
 - lead free BGA-ICs will be delivered in so-called 'dry-packaging' (sealed pack including a silica gel pack) to protect the IC against moisture. After opening, dependent of MSL-level seen on indicator-label in the bag, the BGA-IC possibly still has to be baked dry. This will be communicated via AYS-website.
Do not re-use BGAs at all.
- For sets produced before 1.1.2005, containing leaded soldering-tin and components, all needed spare-parts will be available till the end of the service-period. For repair of such sets nothing changes.
- On our website:
www.atyourservice.ce.Philips.com

You find more information to:

BGA-de-/soldering (+ baking instructions)
Heating-profiles of BGAs and other ICs used in Philips-sets

You will find this and more technical information within the "magazine", chapter "workshop news".

For additional questions please contact your local repair-helpdesk.

Mechanical and Dismantling Instructions

Dismantling Instruction

The following guidelines show how to dismantle the player.

Step1: Dismantle the top cover: remove 9 screws around the bottom cabinet and disconnect 1 connector, then remove the top Cover. (Figure 1 & 2).



Figure 1

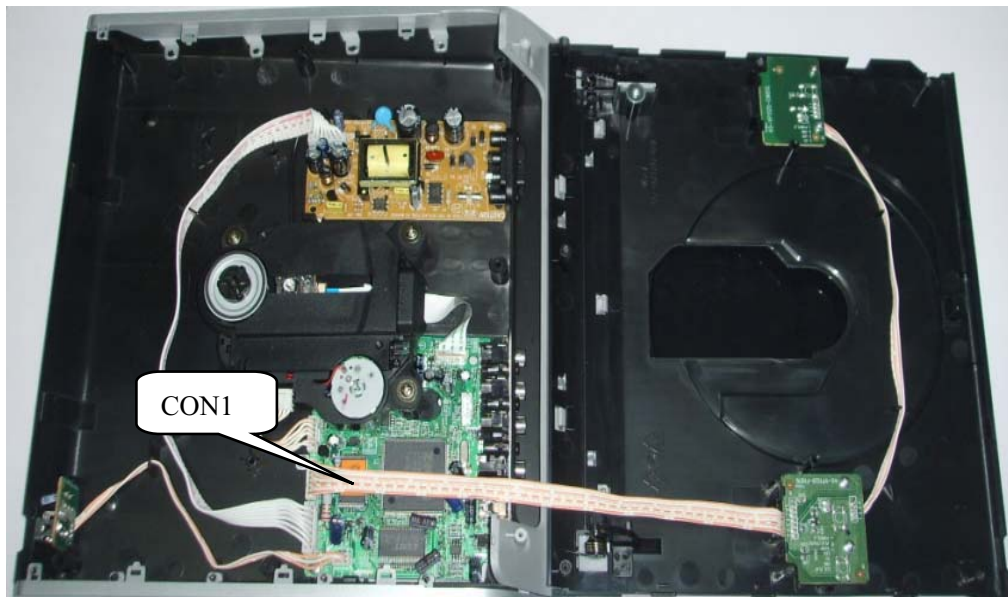


Figure 2

Mechanical and Dismantling Instructions

Dismantling Instruction

Step2: If the disc blocked in the loader and disc door can't open in normal way, you can make it through the instruction as below to take out the disc. (Figure 3 & 4)

Note: Make sure to operate gently otherwise the guider would be damaged.

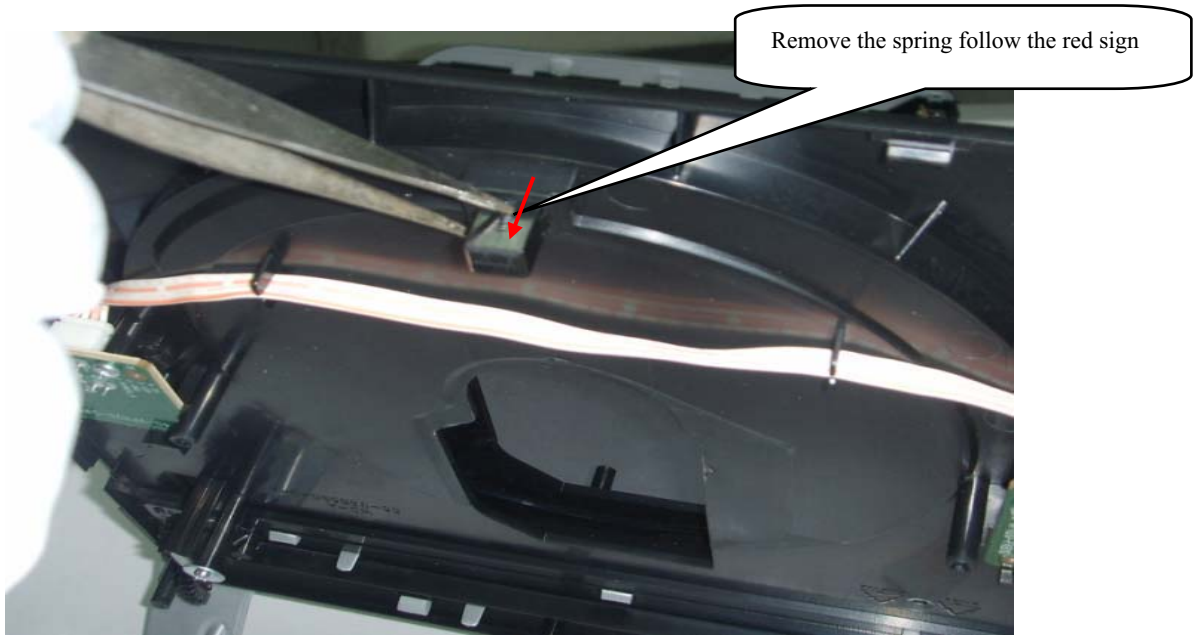


Figure 3

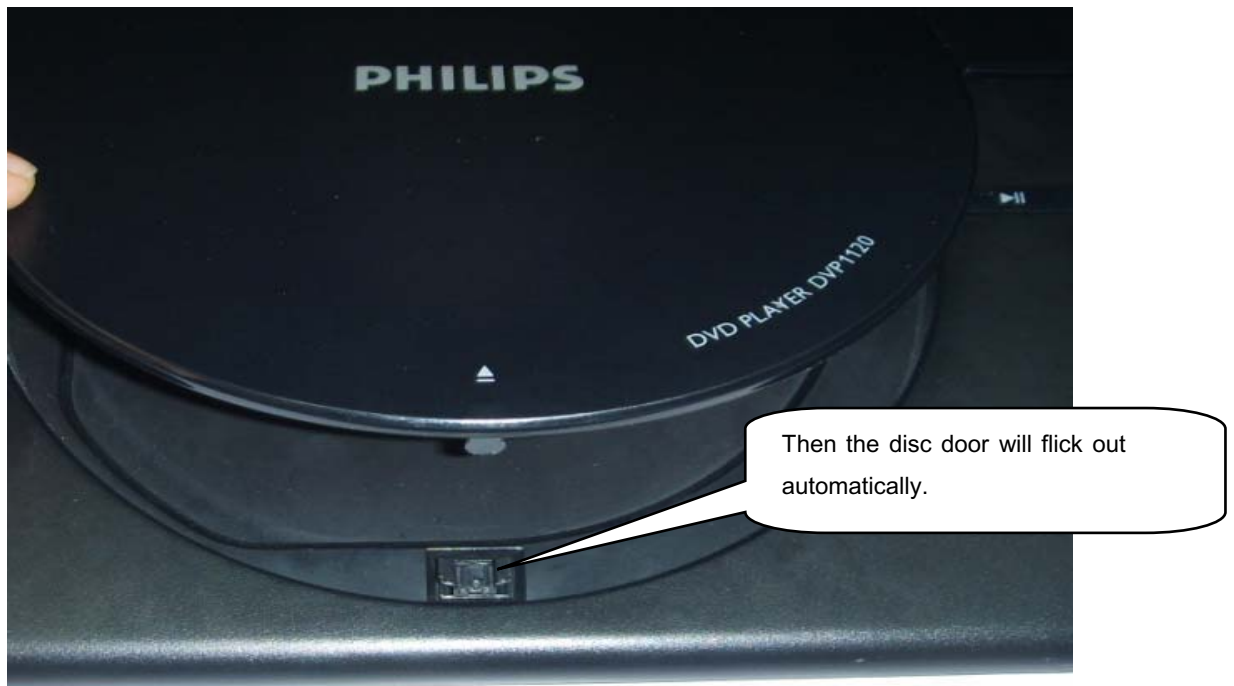


Figure 4

Mechanical and Dismantling Instructions

Dismantling Instruction

Step3: Dismantling Loader: disconnect the 2 connectors aiming in the figure and 4 screws, then can remove the loader.

(Figure5)

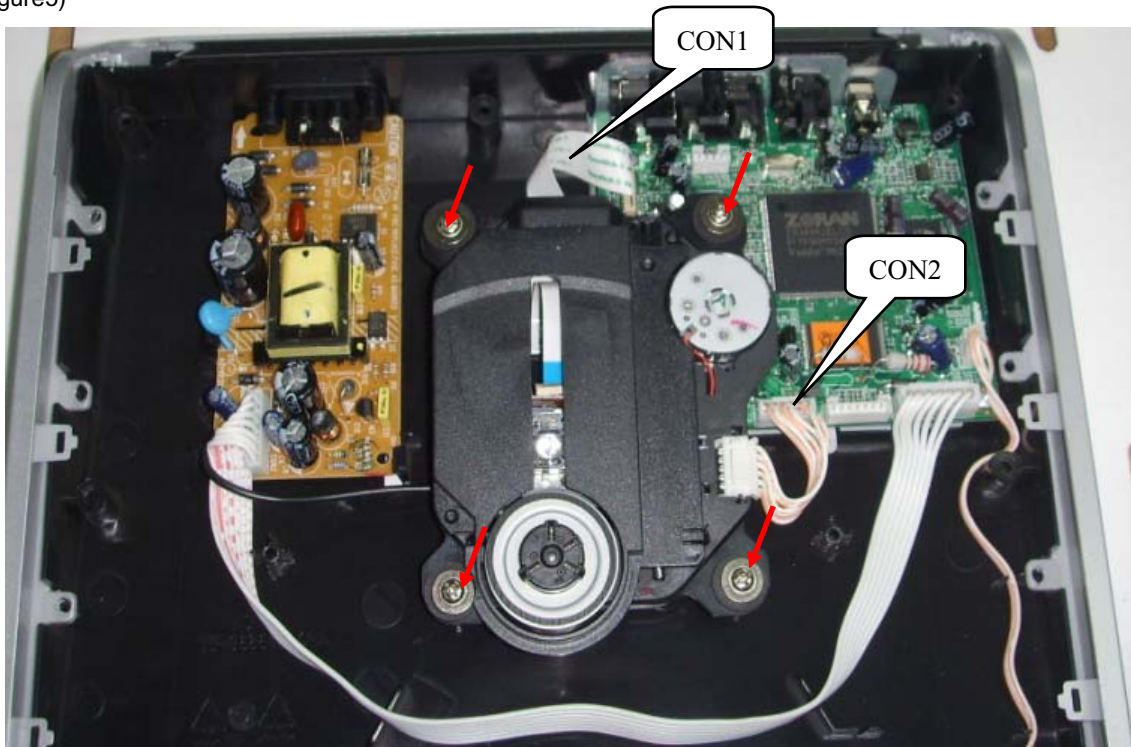


Figure 5

Step4: Dismantling main board: disconnect the 2 connectors aiming in the figure and 5 screws, then can remove the main board. (Figure6)

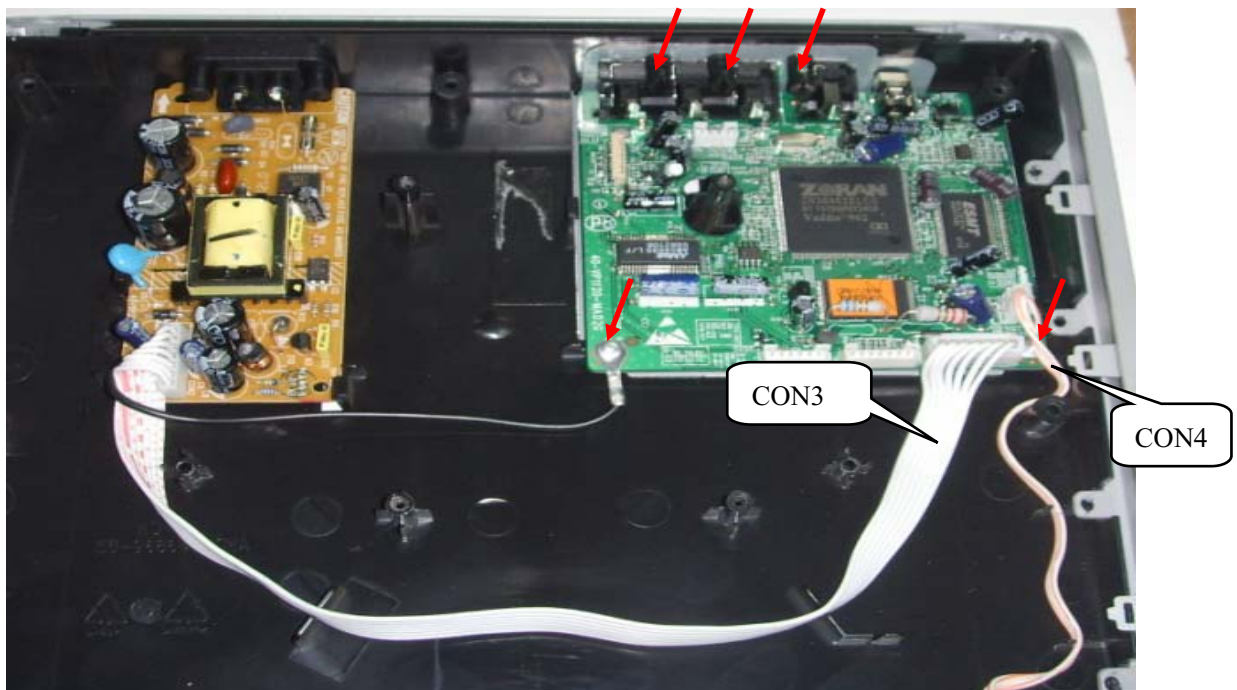


Figure 6

Mechanical and Dismantling Instructions

Dismantling Instruction

Step5: Dismantling power board: disconnect the 2 screws, then can remove the power board. (Figure7)



Figure 7

Step6: Dismantling IR board: remove the IR board follow the red sign, then can remove the IR board. (Figure8)

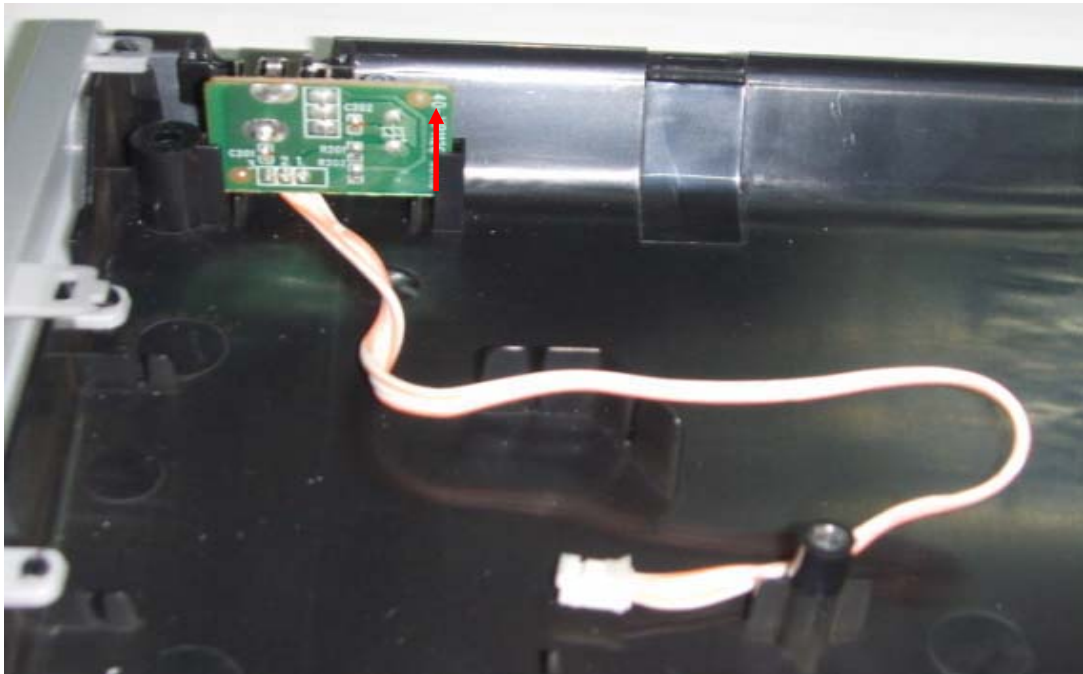


Figure 8

Mechanical and Dismantling Instructions

Dismantling Instruction

Step6: Dismantling switch board: disconnect the 2 screws, then can remove the switch board. (Figure9)

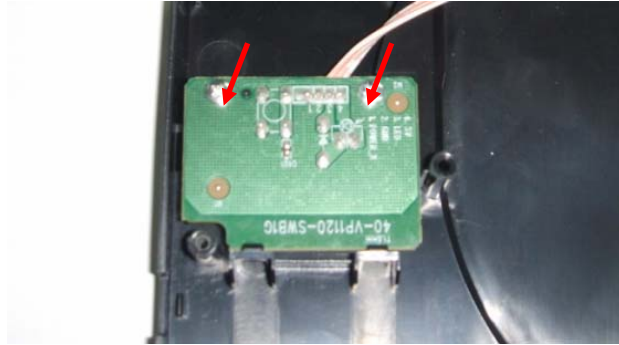


Figure 9

Step6: Dismantling the front board: disconnect the 2 screws, then can remove the front board. (Figure10)



Figure 10

Software upgrade

A. Preparation to upgrade software

- 1) Start the CD Burning software and create a new CD project (Data Disc) with the following setting:

Label: DVPXXXX (No need the label name)

File Name: DVPXXXX_XX.BIN

Power on the set and open the tray, then press <5><5>
to check the File Name.

Note: It is required capital letter for the File System name.

- 2) Burn the data onto a blank CDR

B. Procedure for software upgrade:

- 1) Power up the set and insert the prepared Upgrade CDR.
- 2) The set will start reading disc & response with the following display TV screen:
Upgrade File DETECTED
Upgrade?
Press Play TO START.
- 3) Press <OK> button to confirm, then screen will display :
Files coping...
UPGRADING...
- 4) The upgraded disc will automatically out when files coping complete, then take out the disc.
- 5) About 1 minute later, the trace will automatically close when upgrading complete.

C. Read out the software versions to confirm upgrading

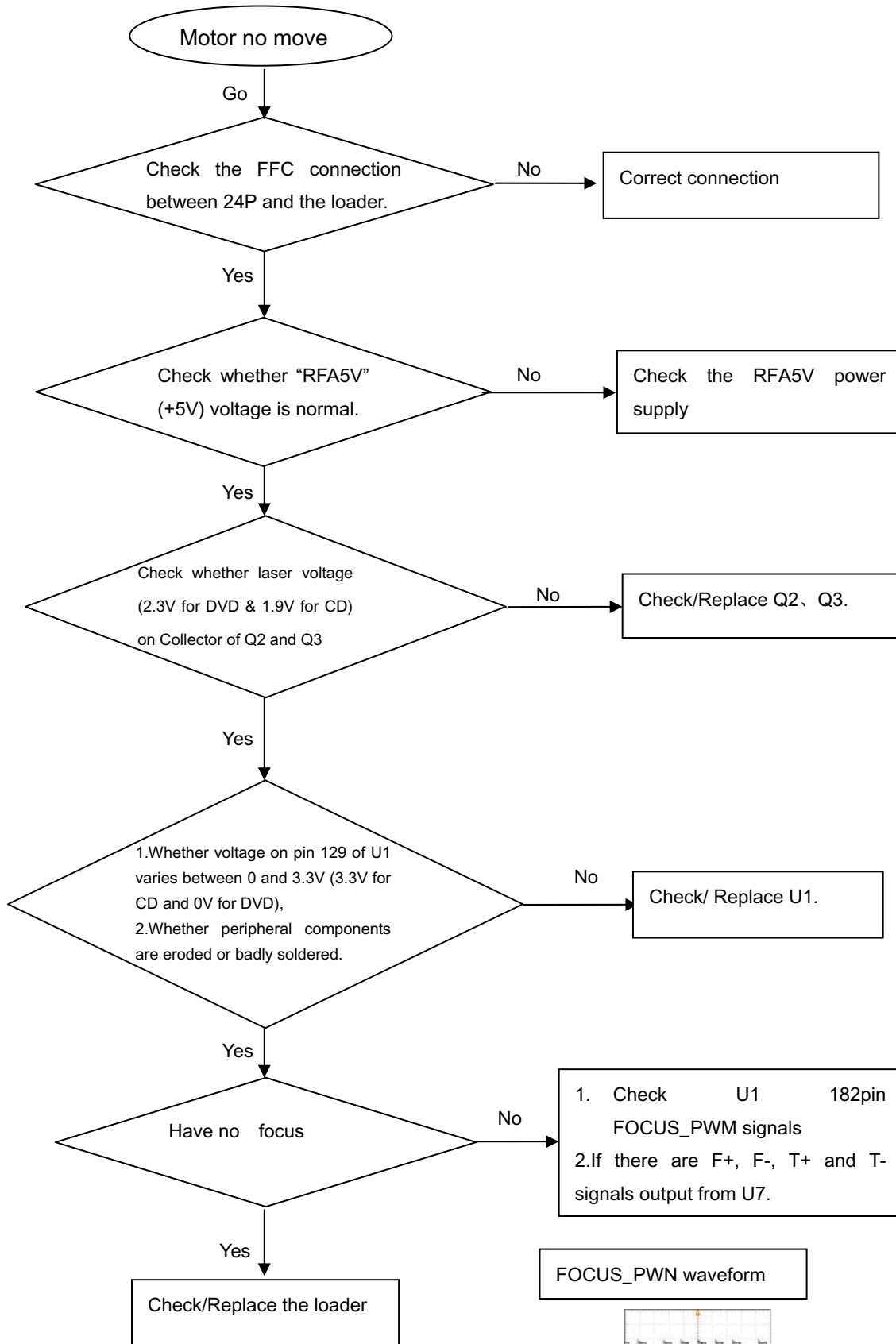
- 1) Power up the set and press <Setup> button on the remote control.
- 2) Press <1><3><7><9> button.

The software version and other information are display on the TV screen as follows:

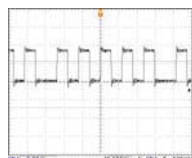
Version	XX.XX.XX.XX (main version)
SUB-VER	XX.XX.XX.XX (software version of application software)
8032	XX.XX.XX.XX
Servo	XX.XX.XX.XX (software version of Servo)
RISC	XX.XX.XX.XX
DSP	XX.XX.XX.XX
Region Code	XX

Caution: The set must not be power off during upgrading, in that case the decoder board will be damaged entirely.

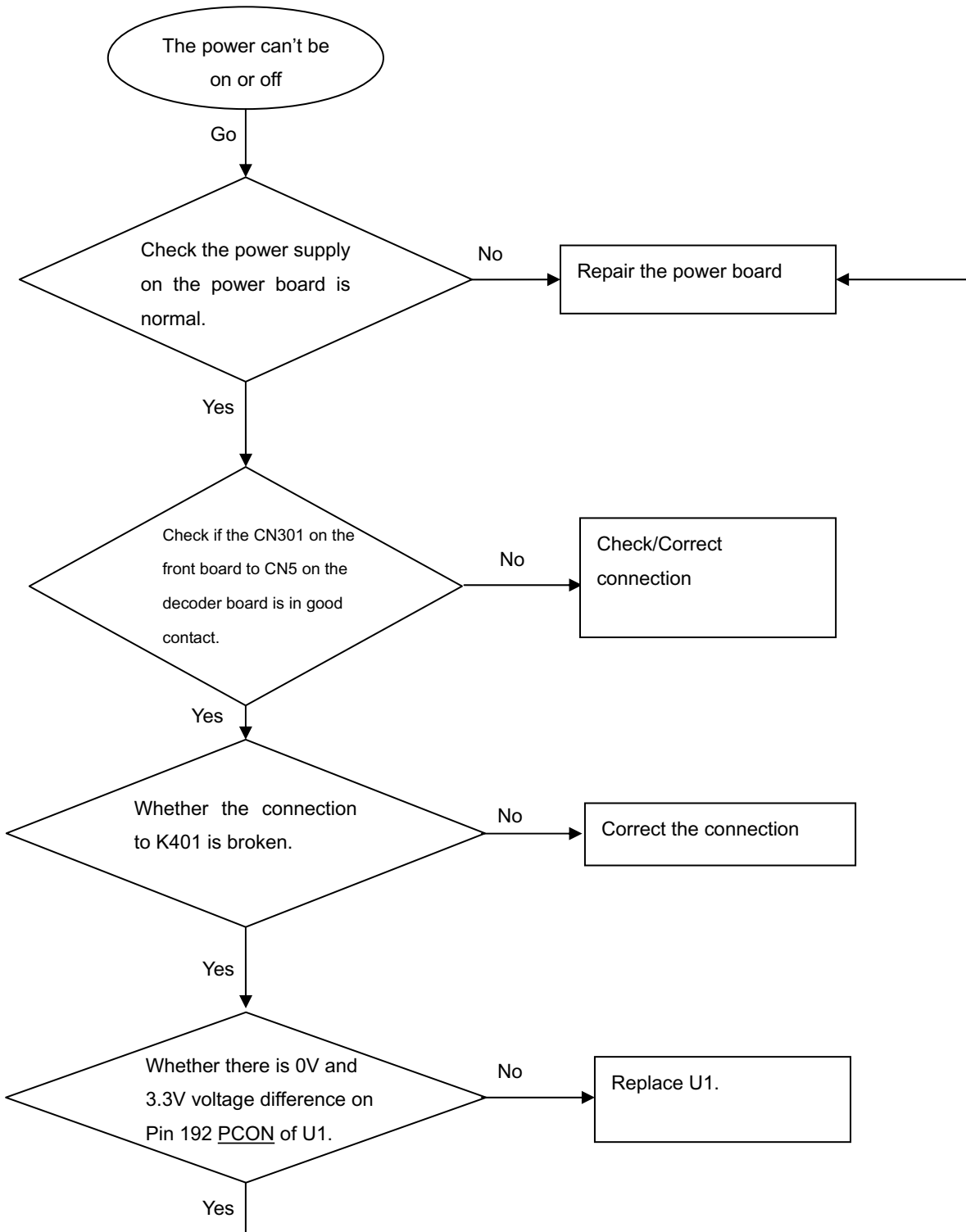
Spindle motor does not move



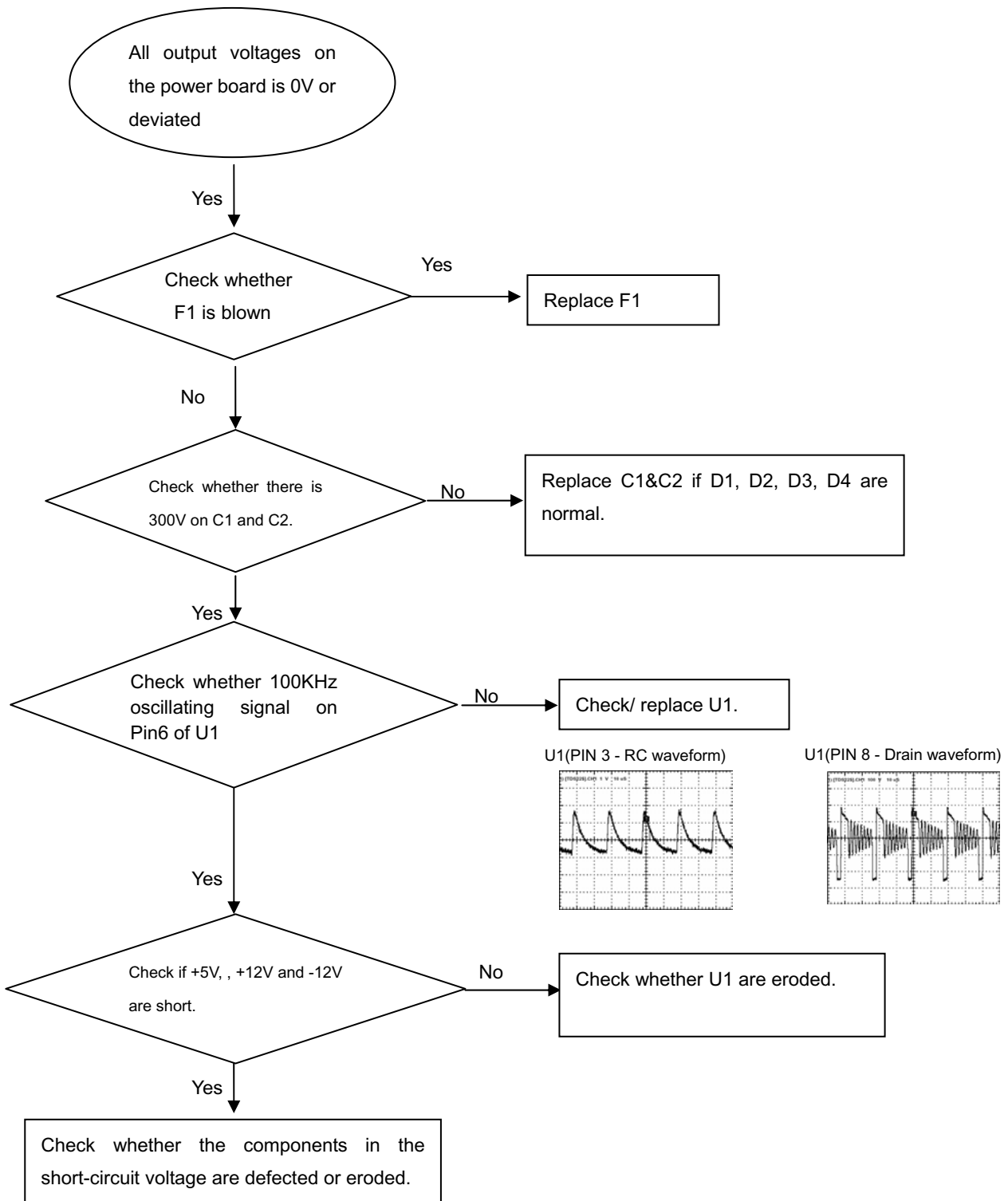
FOCUS_PWN waveform

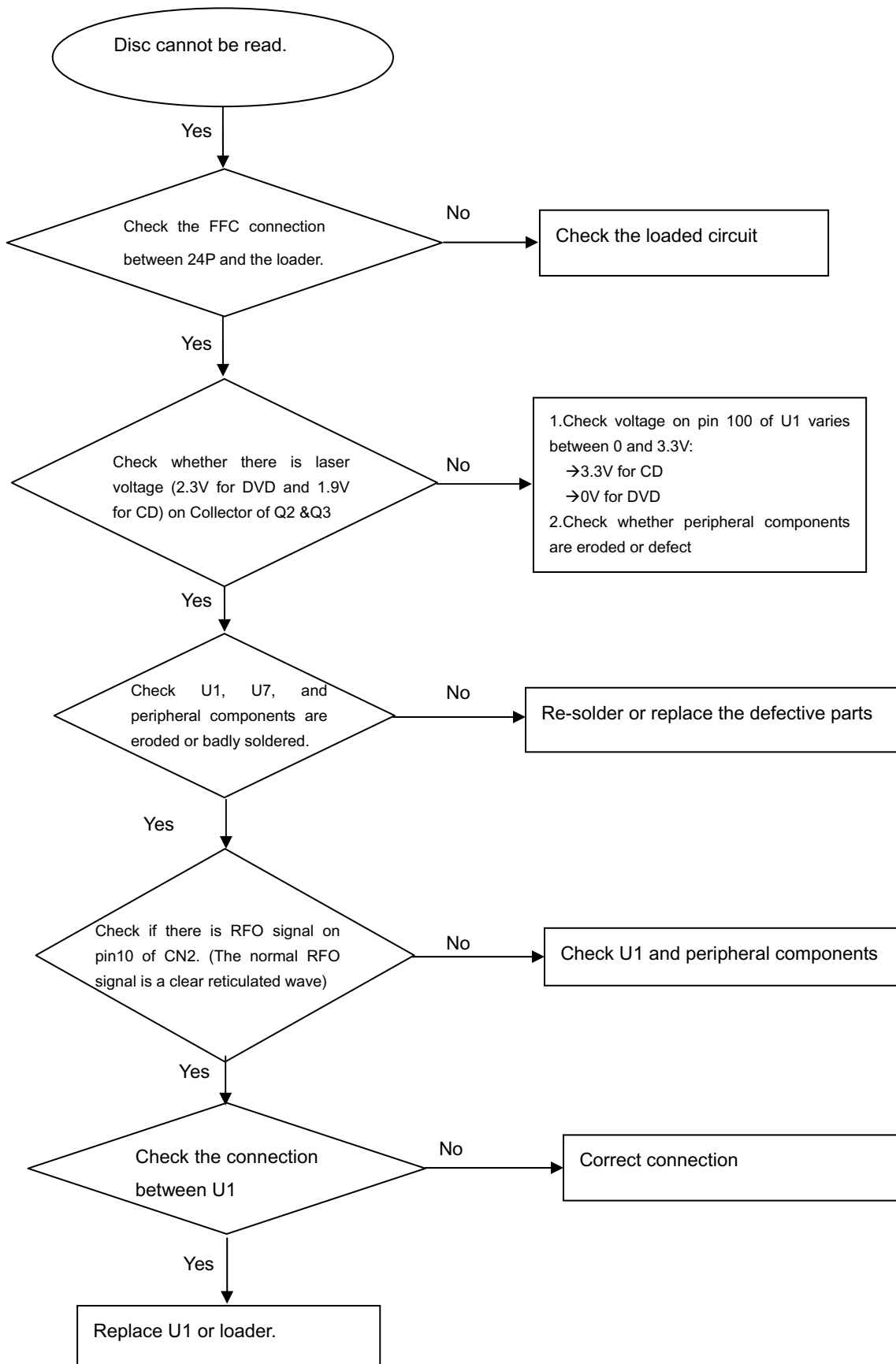


The power can not be on or off

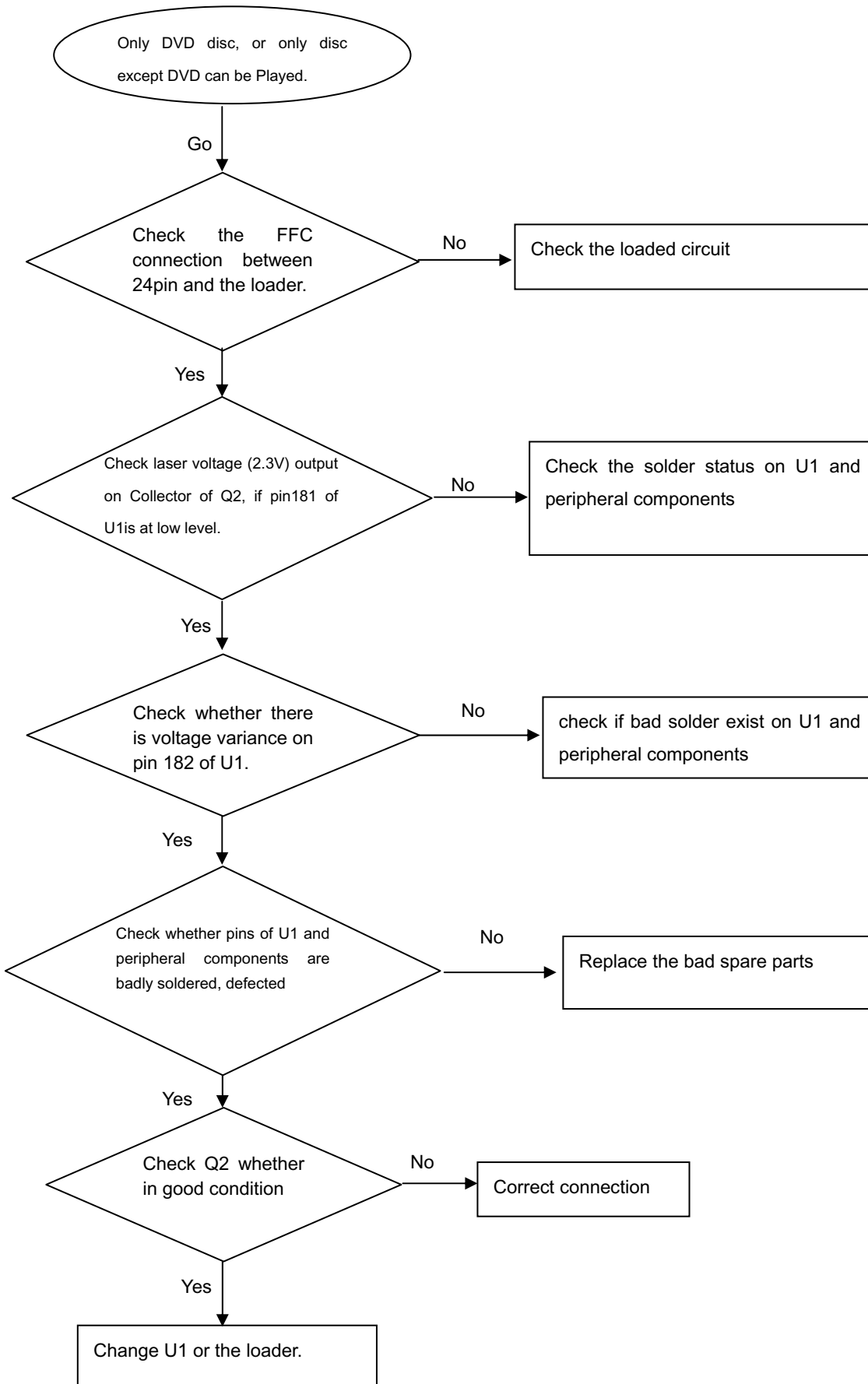


All output voltages on the power board is 0V or deviated.

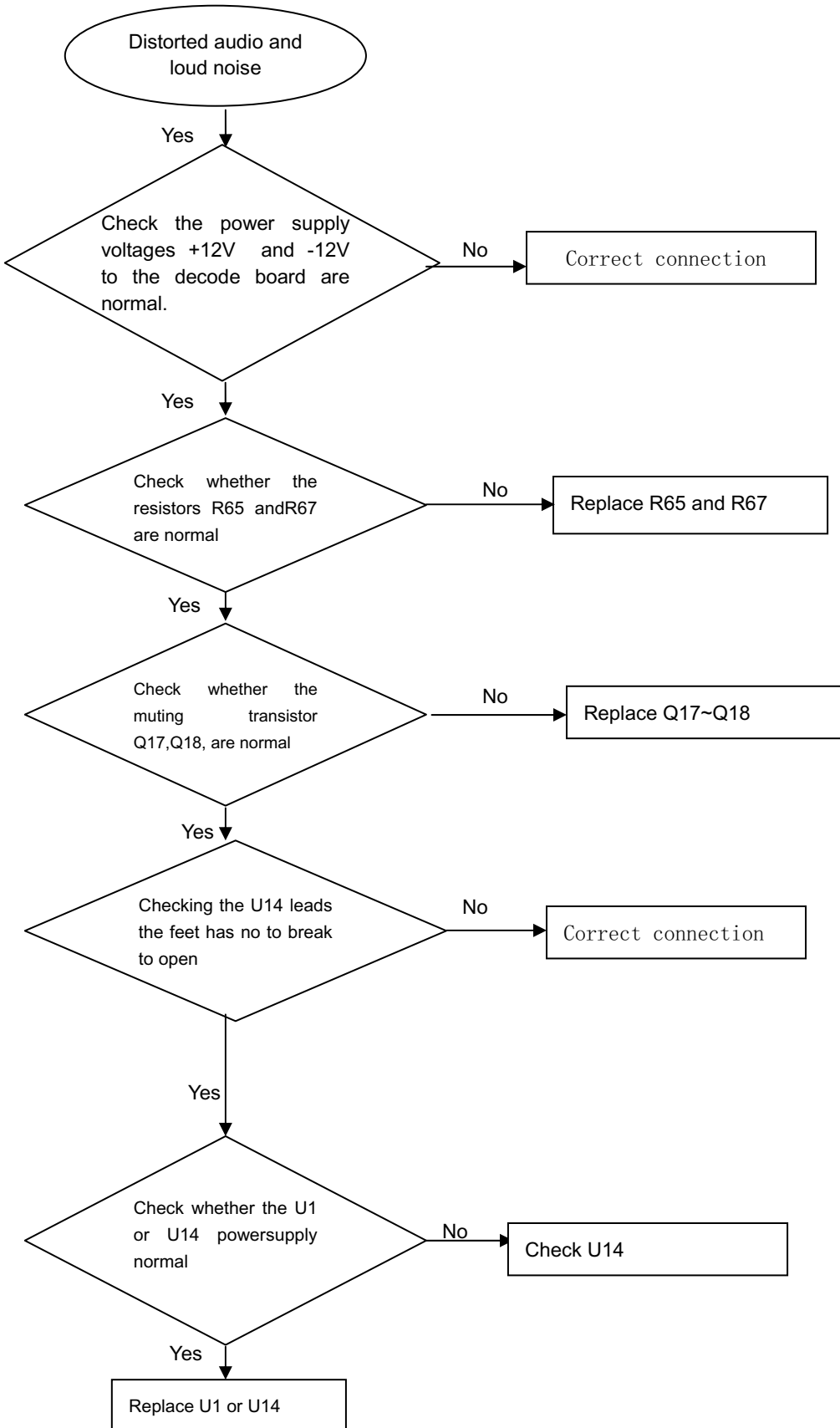


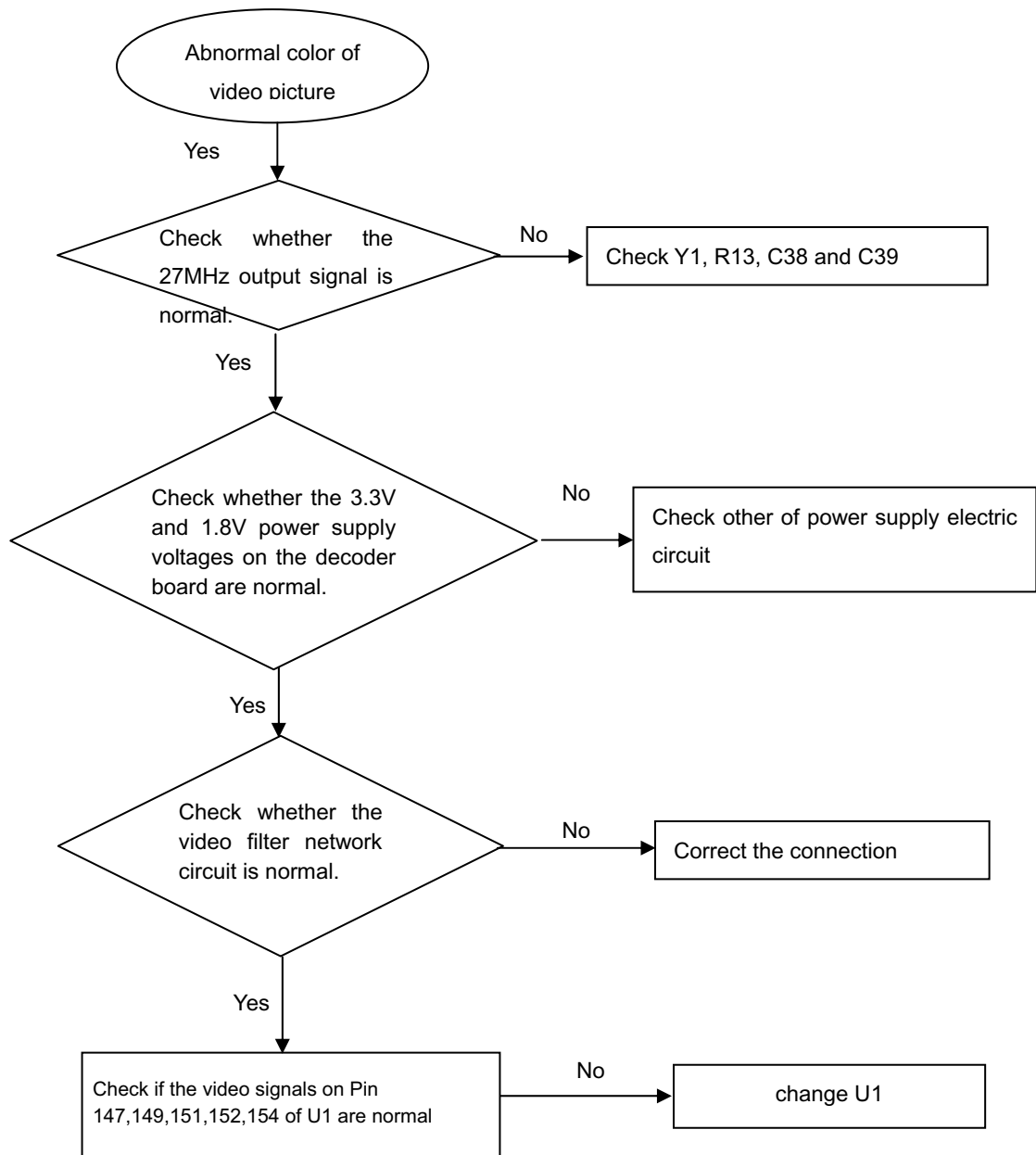
Disc cannot be read.

Only DVD disc or only disc except DVD can be played

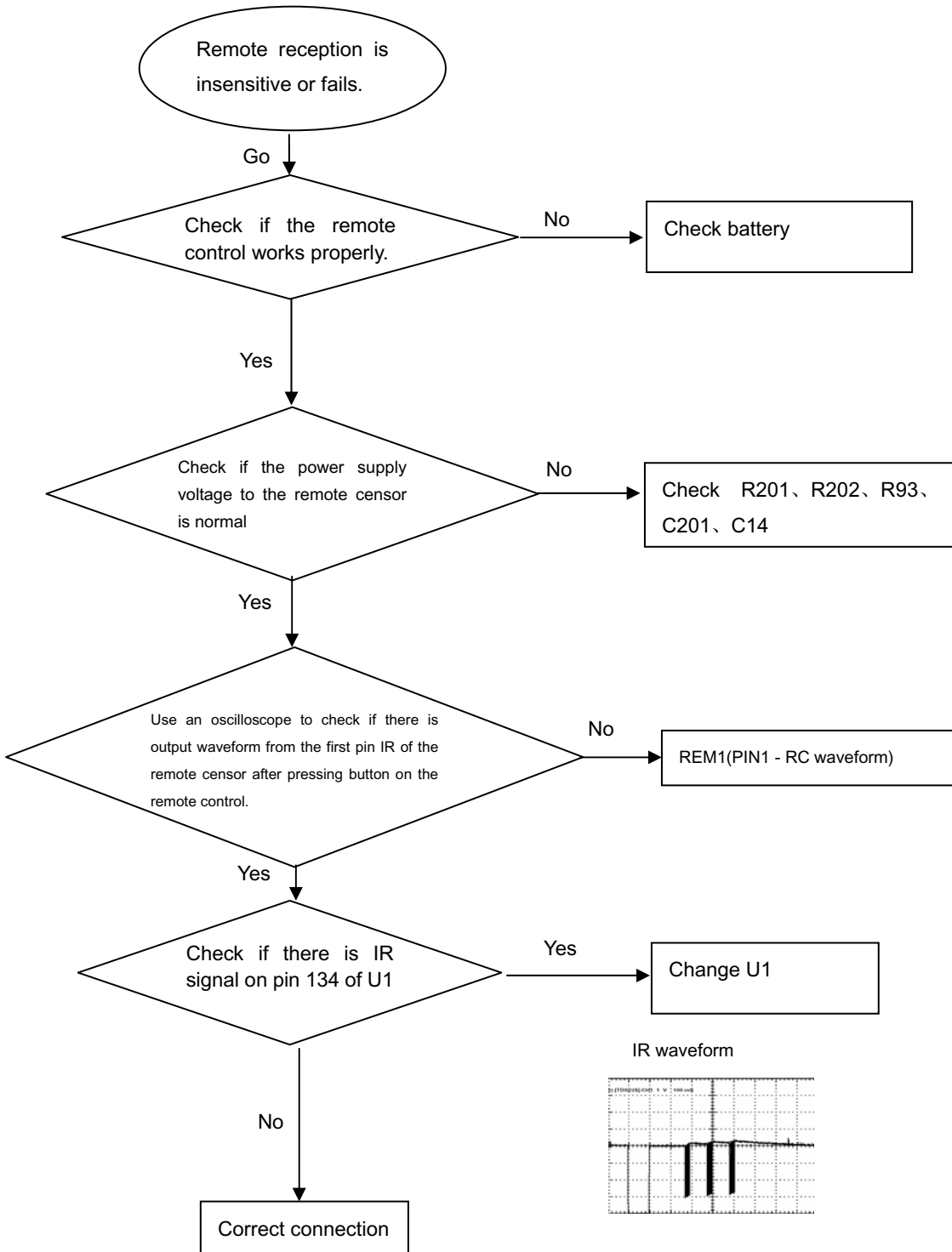


Distorted audio and loud noise

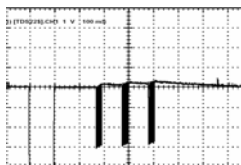


Abnormal color of video picture

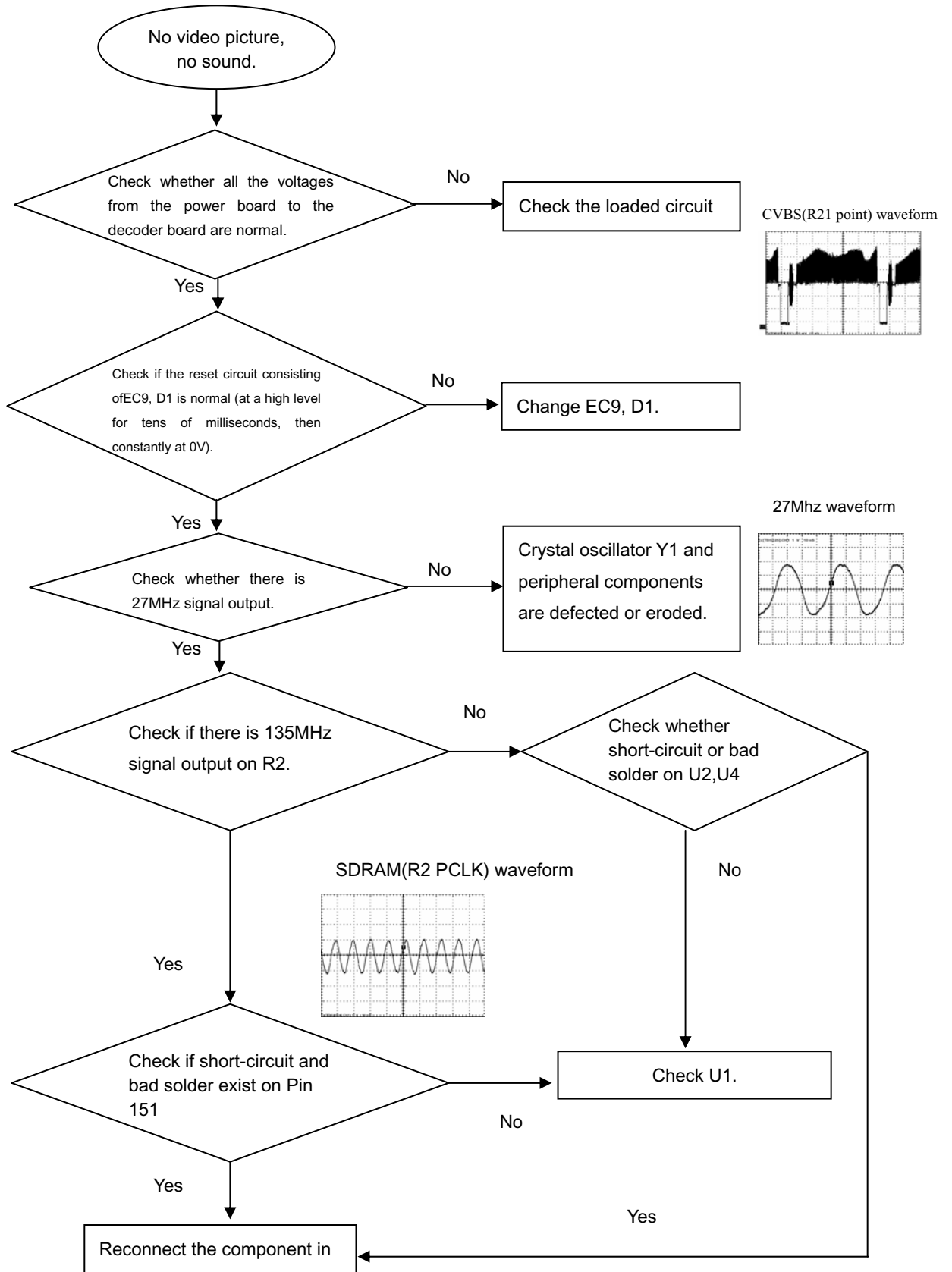
Remote reception is insensitive or fails.



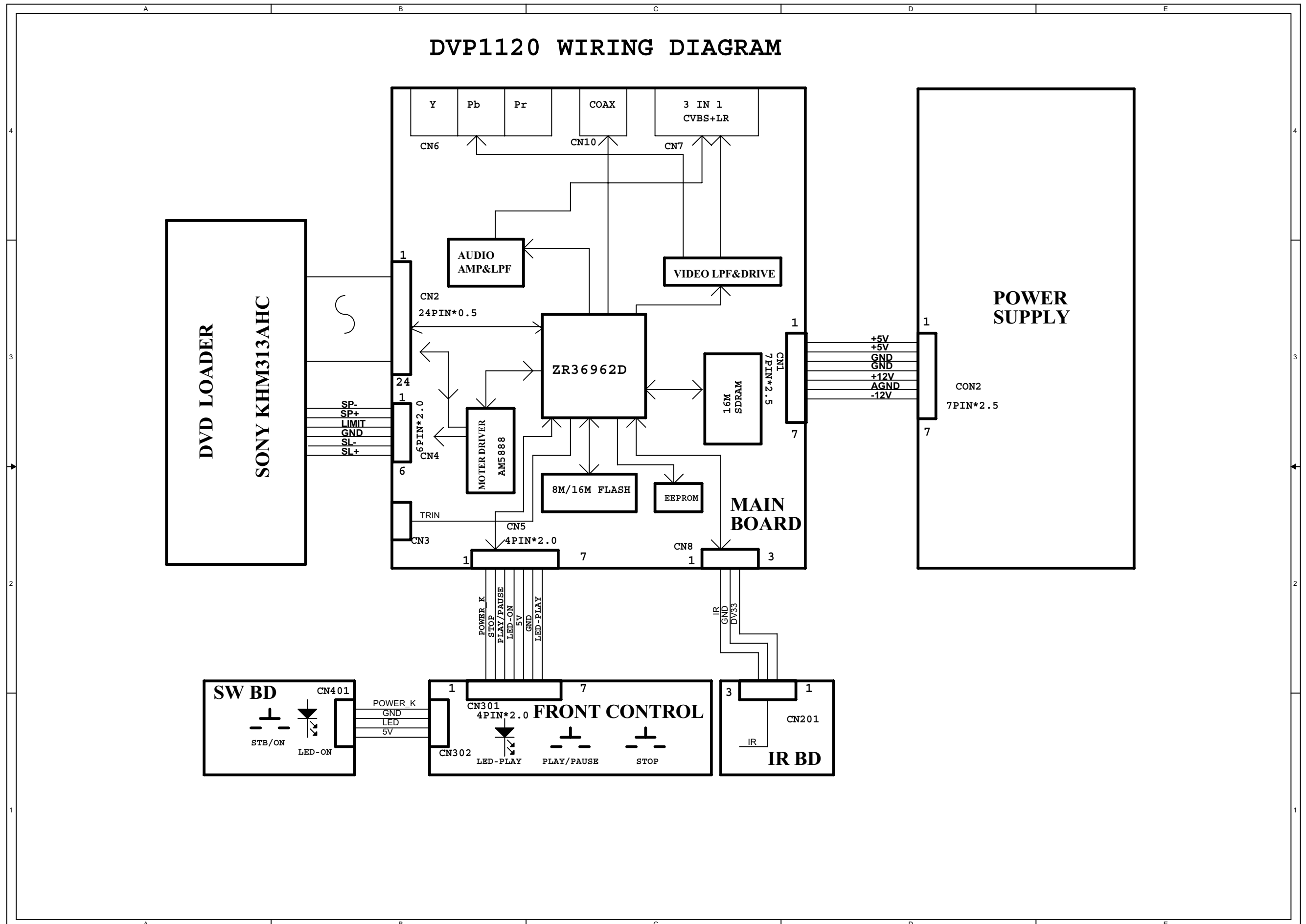
IR waveform



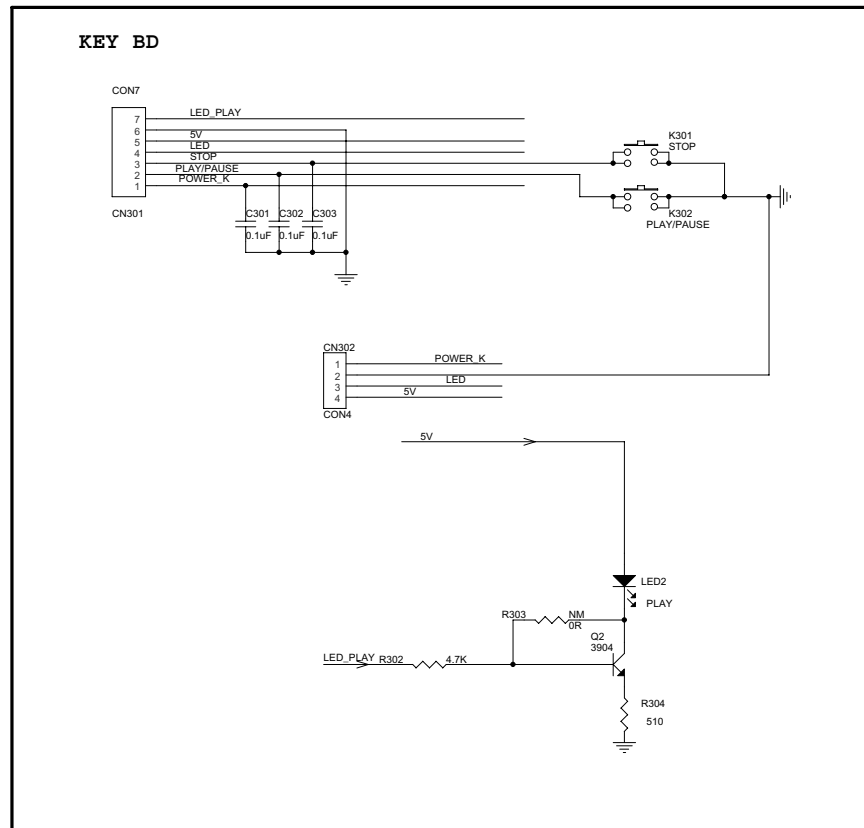
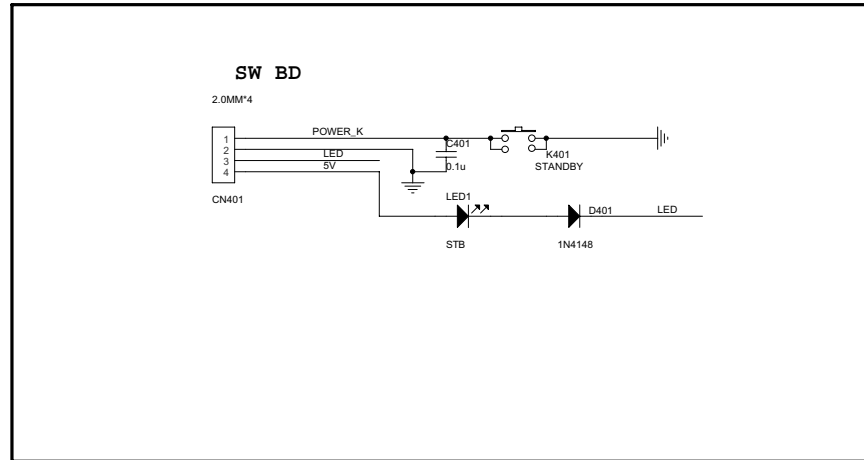
No video picture, no sound.



DVP1120 WIRING DIAGRAM

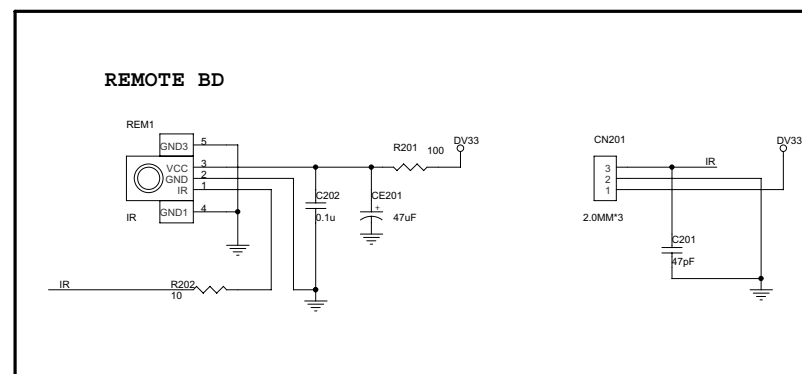


Front Board & Switch Board Electric Diagram for DVP1120/55/93/98



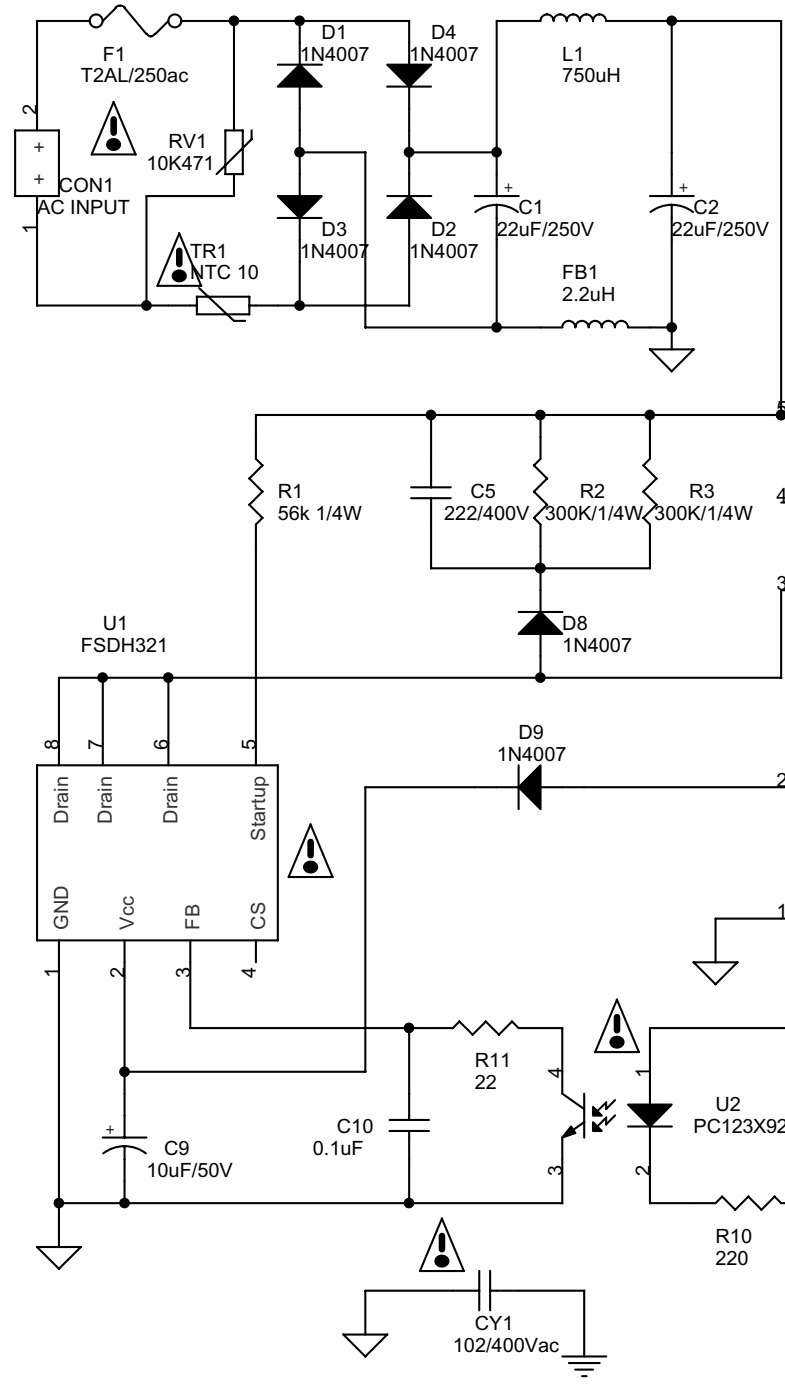
C301	B2
C302	B2
C303	B2
C401	B1
CN301	A2
CN302	B3
CN401	A1
D401	B1
K301	B2
K302	B2
K401	B1
LED1	B1
LED2	B3
Q2	B3
R302	B3
R303	B3
R304	B3


Infrared Board Electric Diagram for DVP1120/55/93/98



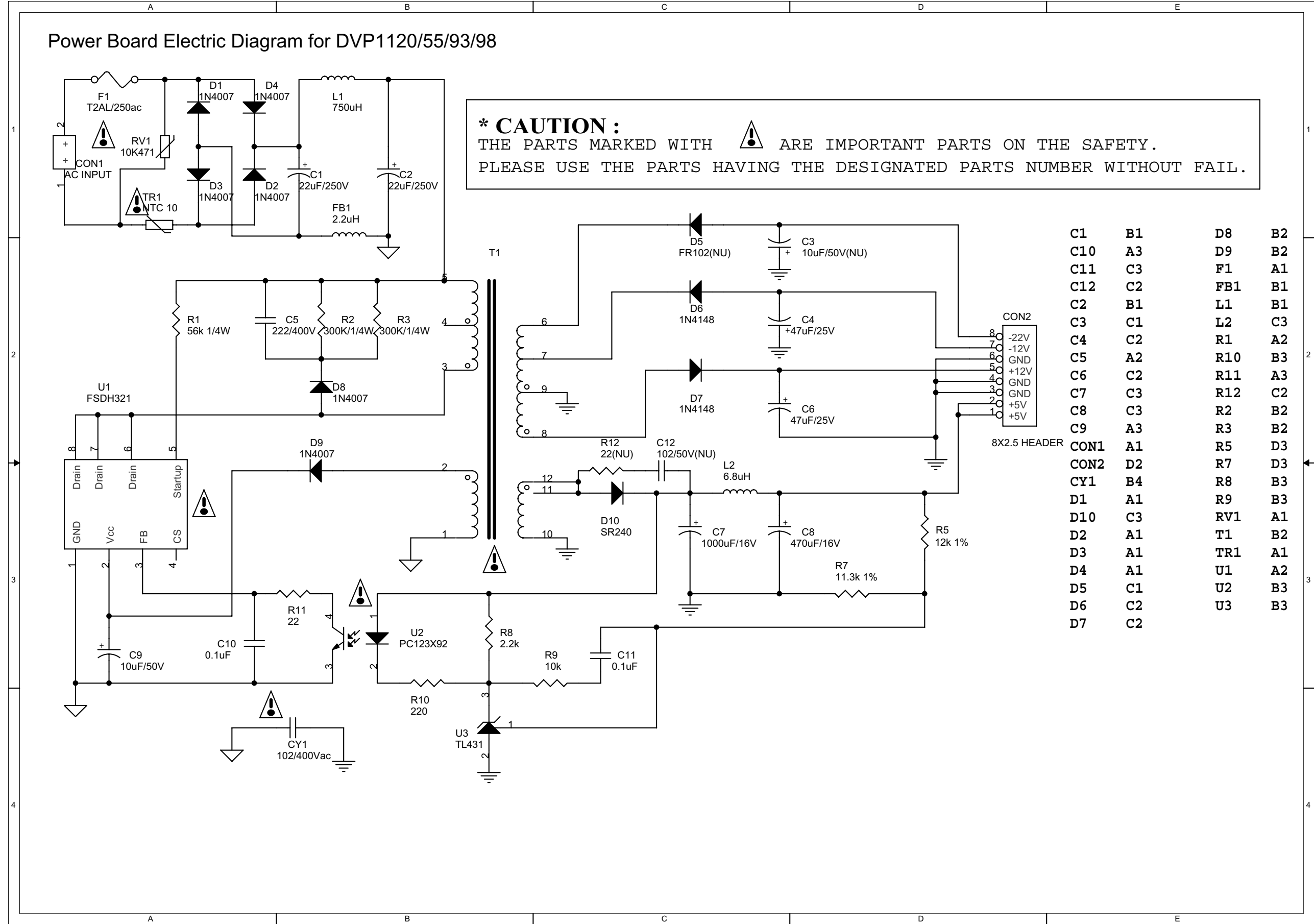
C201	C2
C202	B2
CE201	B2
CN201	B2
R201	B2
R202	B2
REM1	B2

Power Board Electric Diagram for DVP1120/55/93/98



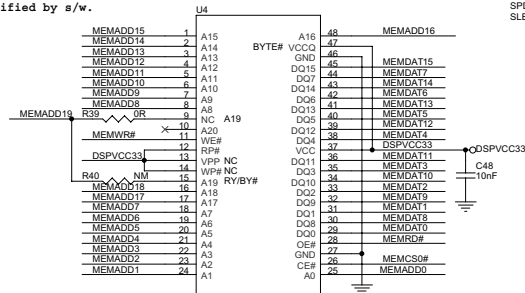
*** CAUTION :**
 THE PARTS MARKED WITH  ARE IMPORTANT PARTS ON THE SAFETY.
 PLEASE USE THE PARTS HAVING THE DESIGNATED PARTS NUMBER WITHOUT FAIL.

C1	B1	D8	B2
C10	A3	D9	B2
C11	C3	F1	A1
C12	C2	FB1	B1
C2	B1	L1	B1
C3	C1	L2	C3
C4	C2	R1	A2
C5	A2	R10	B3
C6	C2	R11	A3
C7	C3	R12	C2
C8	C3	R2	B2
C9	A3	R3	B2
CON1	A1	R5	D3
CON2	D2	R7	D3
CY1	B4	R8	B3
D1	A1	R9	B3
D10	C3	RV1	A1
D2	A1	T1	B2
D3	A1	TR1	A1
D4	A1	U1	A2
D5	C1	U2	B3
D6	C2	U3	B3
D7	C2		



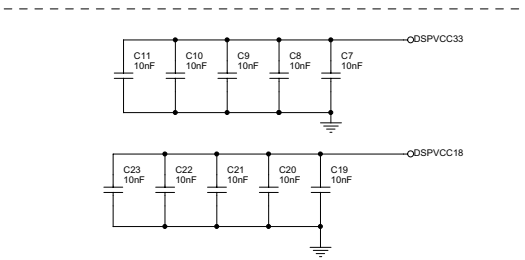
MAIN Board Electric Diagram for DVP1120/55/93/98: Vaddis_SDRAM_Fla

Flash speed <= 70 nS.
If plan to use 90ns
Flash, it needs to be
verified by s/w.

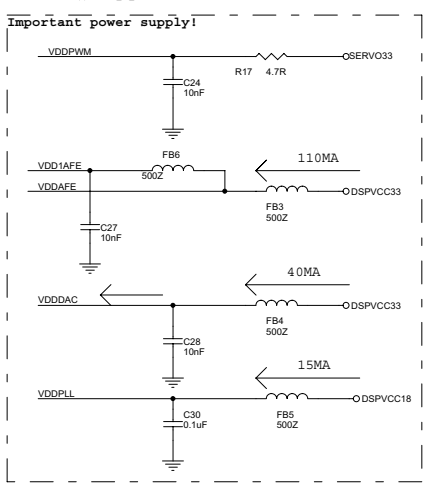
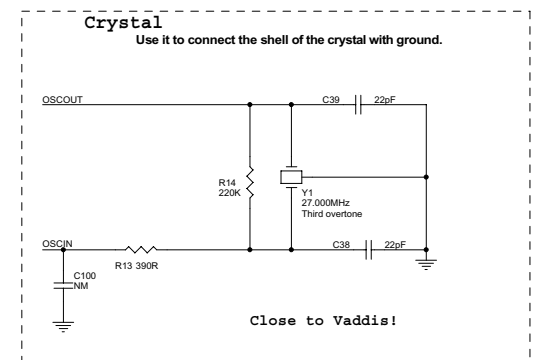
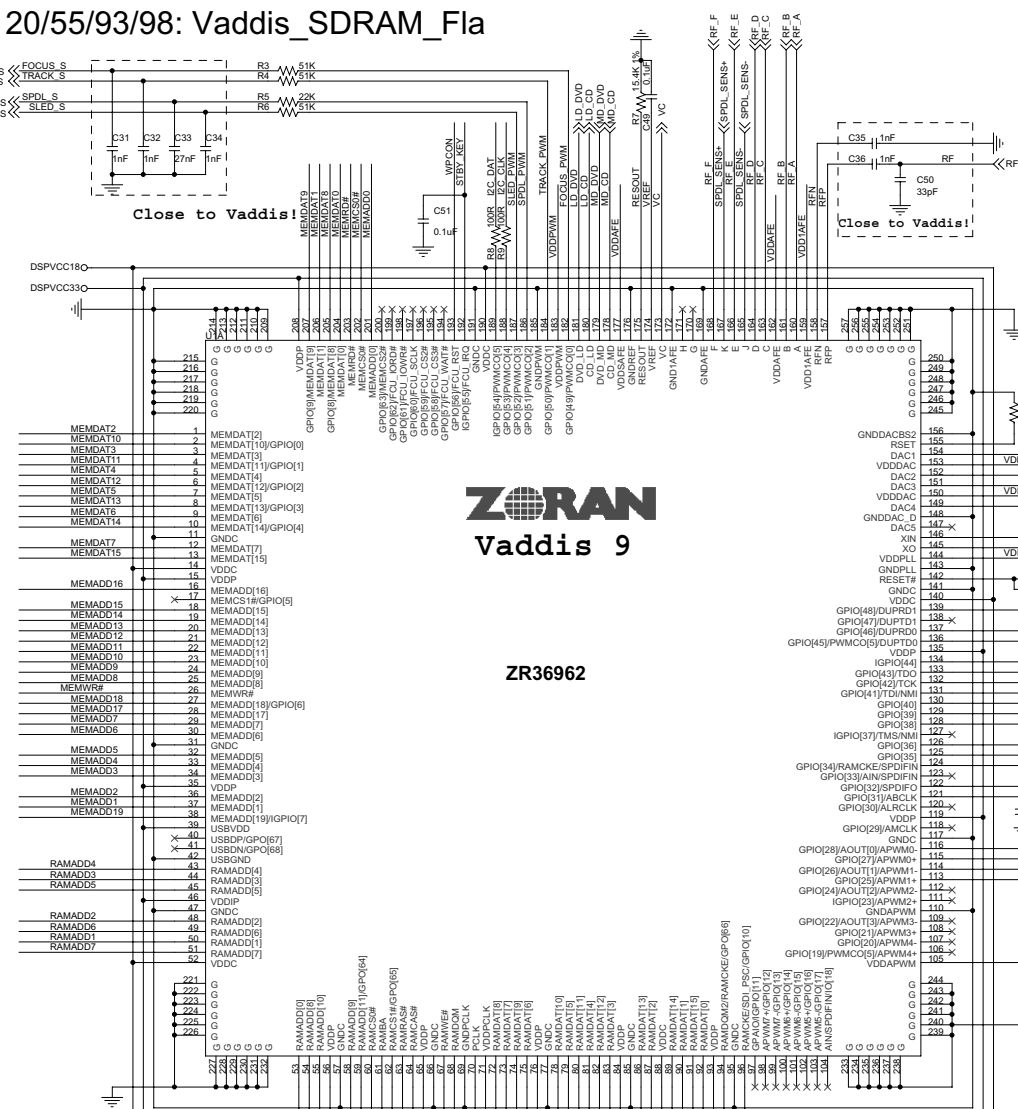
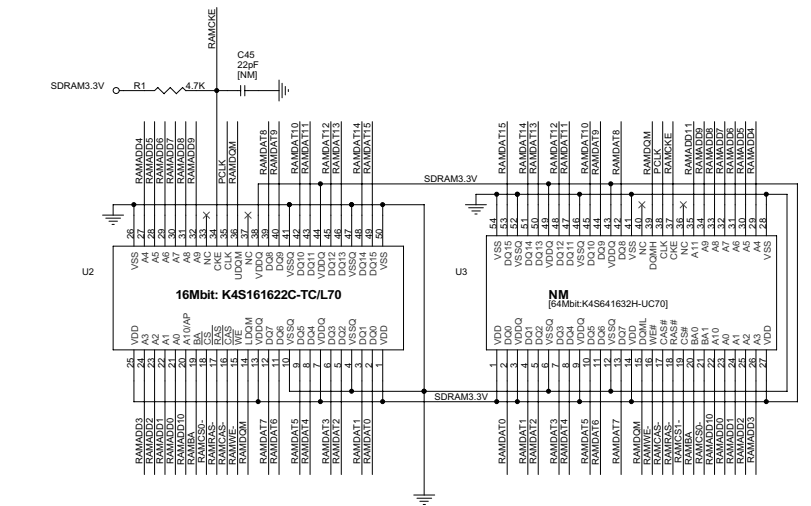


Flash select	R39	R40
Intel	NM	0R
AMD/SST	0R	NM

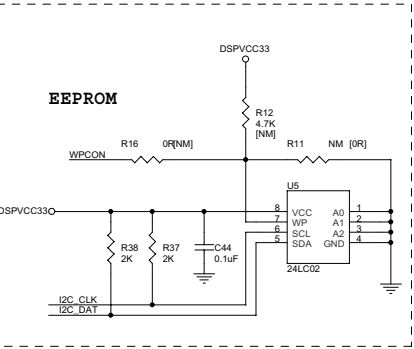
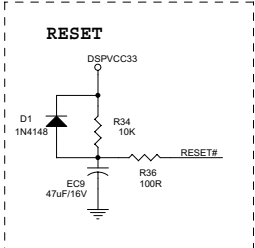
BOOTSEL	JP3	JP2
Play	OPEN	OPEN
Download	OPEN	CLOSE
SW debug	CLOSE	OPEN



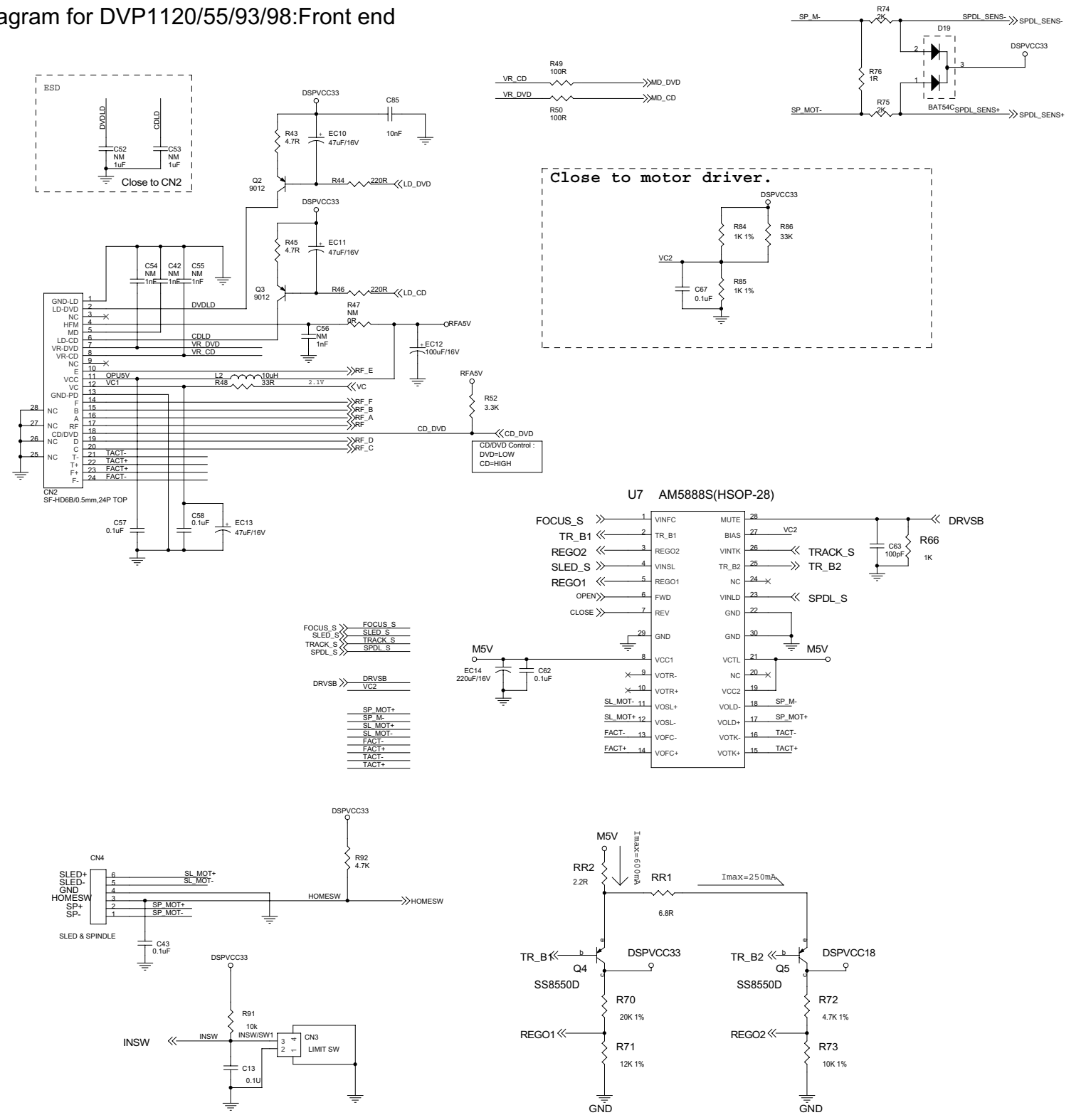
Place de-coupling capacitors close to power pins.



- A3 EC20 C3
- C10 A2 EC9 B4
- C100 C1 FB1 A3
- C11 A2 FB3 D2
- C15 C3 FB30 B3
- C16 C2 FB4 D2
- C17 B3 FB5 D3
- C18 C2 FB6 D2
- C19 A3 JP3 A2
- C2 A3 R1 A3
- C20 A3 R10 C1
- C21 A3 R11 C4
- C22 A3 R12 C3
- C23 A3 R13 D1
- C24 D2 R14 D1
- C27 D2 R16 C4
- C28 D2 R17 D2
- C3 A3 R19 D2
- C30 D3 R2 B3
- C31 B1 R20 D2
- C32 B1 R21 D2
- C33 B1 R22 D2
- C34 B1 R3 B1
- C35 C1 R34 B4
- C36 C1 R36 B4
- C37 B3 R37 C4
- C38 D1 R38 C4
- C39 D1 R39 A1
- C4 D3 R4 B1
- C44 C4 R40 A1
- C45 A3 R41 A2
- C48 A1 R42 A2
- C49 C1 R5 B1
- C5 D3 R51 C3
- C50 C1 R6 B1
- C51 B1 R7 C1
- C6 D3 R8 B1
- C7 A2 R9 B1
- C70 C2 U1 B1
- C71 C2 U2 A4
- C8 A2 U3 A4
- C9 A2 U4 A1
- CN109 D3 U5 C4
- D1 B4 Y1 D1
- EC1 A3

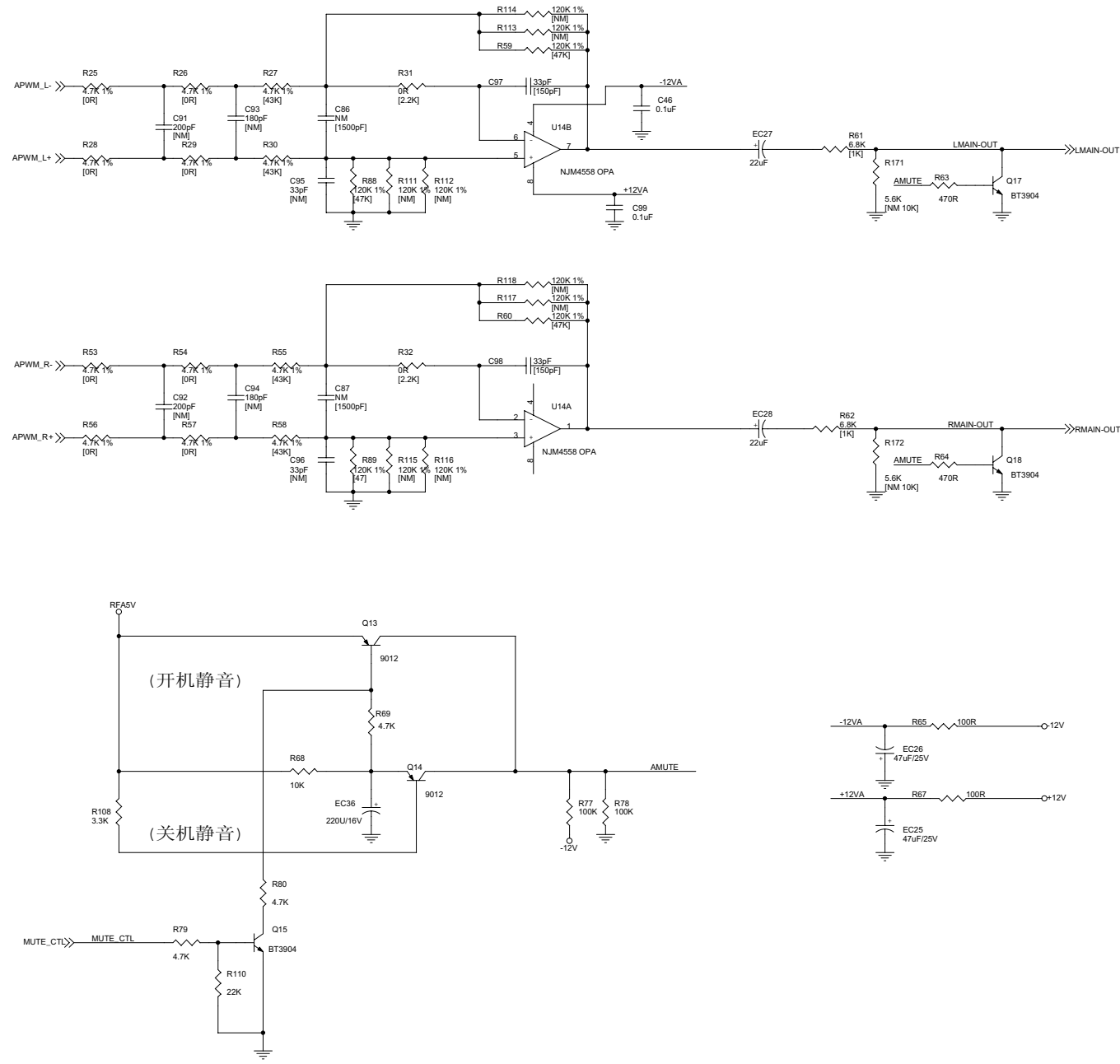


MAIN Board Electric Diagram for DVP1120/55/93/98:Front end



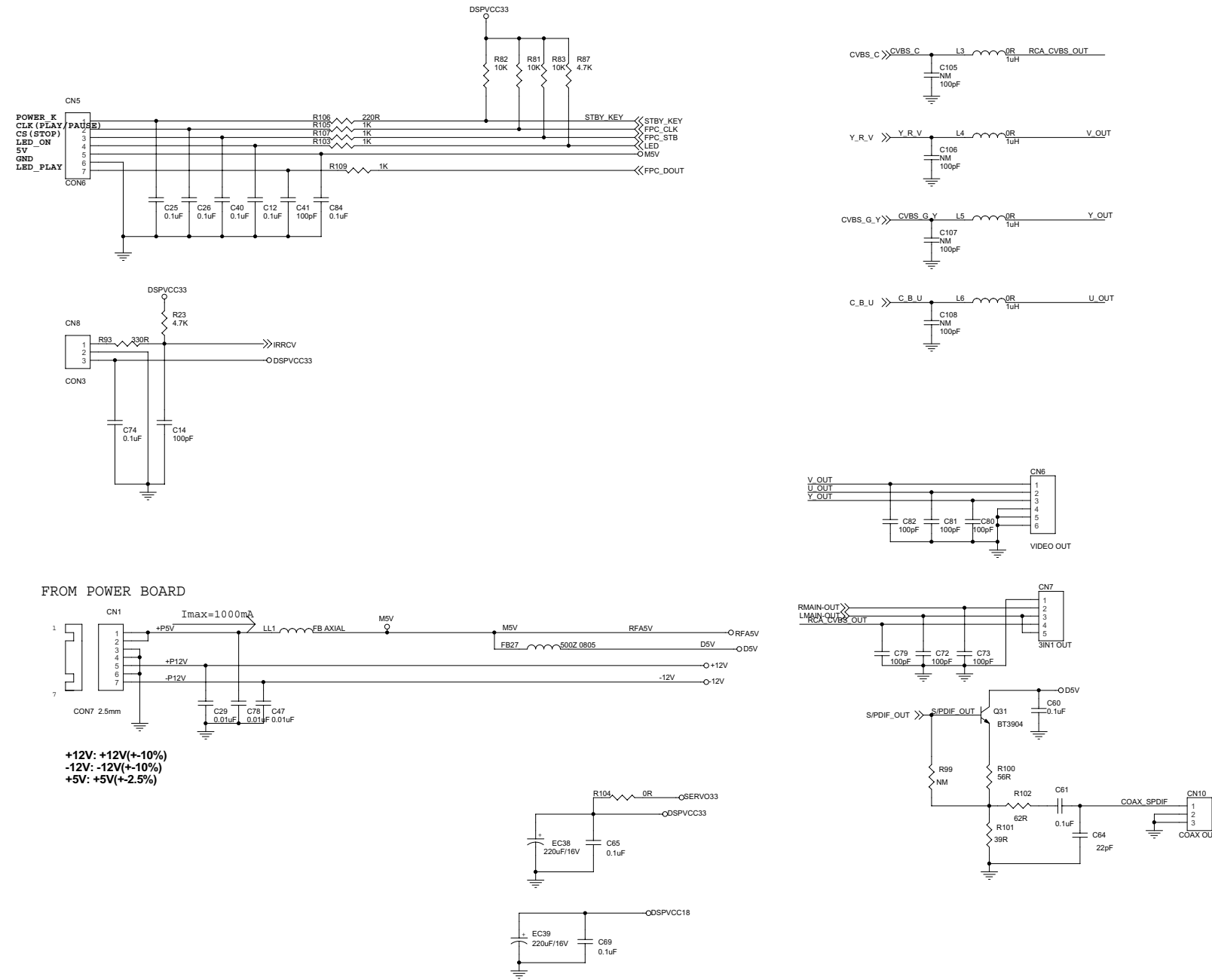
- C13 B4
- C42 A2
- C43 A4
- C52 A1
- C53 A1
- C54 A2
- C55 A2
- C56 B2
- C57 A2
- C58 A2
- C62 B3
- C63 C2
- C67 C2
- C85 B1
- CN2 A2
- CN3 B4
- CN4 A3
- D19 C1
- EC10 B1
- EC11 B1
- EC12 B2
- EC13 B2
- EC14 B3
- L2 B2
- Q2 B1
- Q3 B2
- Q4 C4
- Q5 C4
- R43 B1
- R44 B1
- R45 B1
- R46 B2
- R47 B2
- R48 B2
- R49 B1
- R50 B1
- R52 B2
- R66 C2
- R70 C4
- R71 C4
- R72 C4
- R73 C4
- R74 C1
- R75 C1
- R76 C1
- R84 C1
- R85 C2
- R86 C1
- R91 B4
- R92 B3
- RR1 C3
- RR2 C3
- U7 C2

MAIN Board Electric Diagram for DVP120/55/93/98: Audio Input_Output



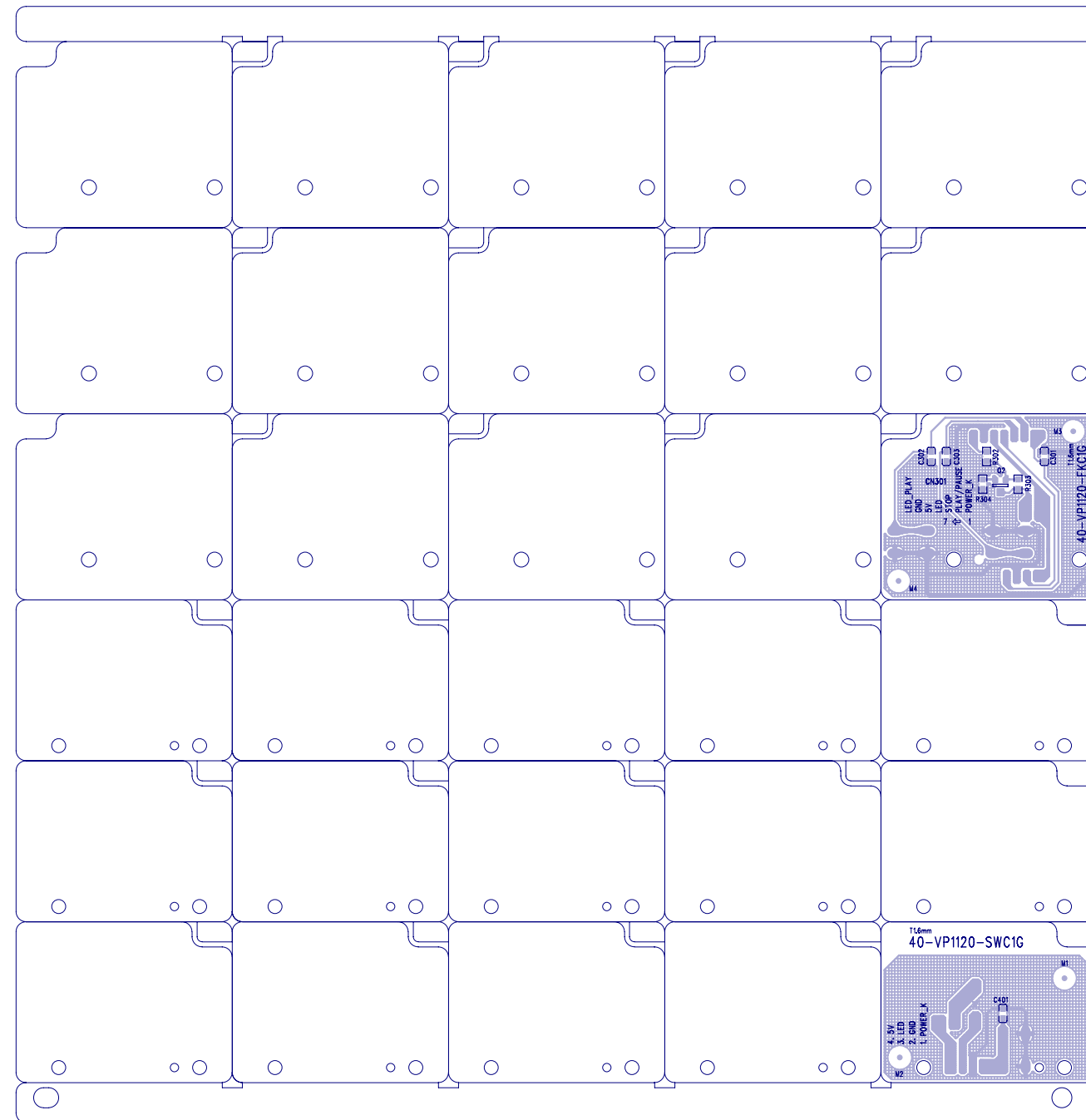
C46	B1
C86	A1
C87	A2
C91	A1
C92	A2
C93	A1
C94	A2
C95	A1
C96	A2
C97	B1
C98	B2
C99	B1
EC25	C3
EC26	C3
EC27	B1
EC28	B2
EC36	B3
Q13	B2
Q14	B3
Q15	A3
Q17	C1
Q18	C2
R108	A3
R110	A3
R111	B1
R112	B1
R113	B1
R114	B1
R115	B2
R116	B2
R117	B2
R118	B2
R171	C1
R172	C2
R25	A1
R26	A1
R27	A1
R28	A1
R29	A1
R30	A1
R31	B1
R32	B2
R53	A2
R54	A2
R55	A2
R56	A2
R57	A2
R58	A2
R59	B1
R60	B2
R61	C1
R62	C2
R63	C1
R64	C2
R65	C3
R67	C3
R68	A3
R69	B3
R77	B3
R78	B3
R79	A3
R80	A3
R88	A1
R89	A2
U14A	B2
U14B	B1

MAIN Board Electric Diagram for DVP1120/55/93/98: Power_Video Out_

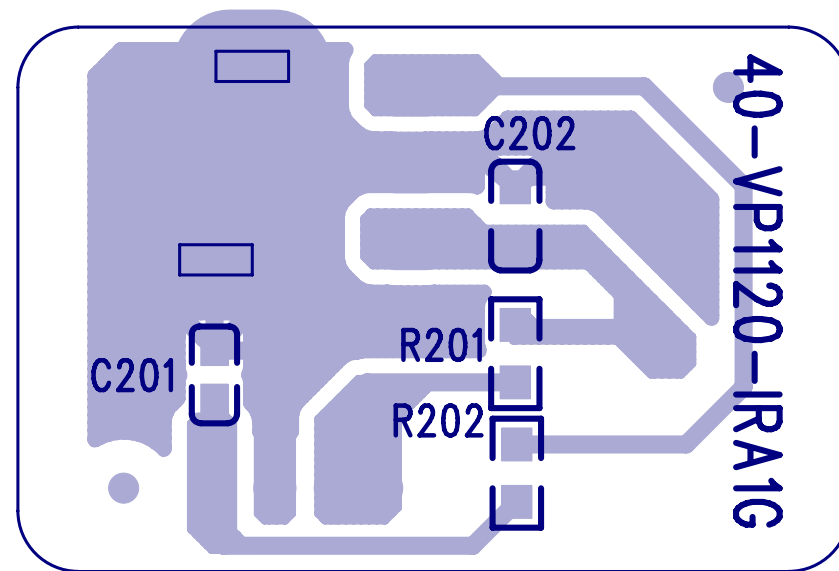


C105	C1
C106	C1
C107	C2
C108	C2
C12	A1
C14	A2
C25	A1
C26	A1
C29	A3
C40	A1
C41	B1
C47	B3
C60	C3
C61	D3
C64	D3
C65	B4
C69	B4
C72	C3
C73	C3
C74	A2
C78	A3
C79	C3
C80	C2
C81	C2
C82	C2
C84	B1
CN1	A3
CN10	D3
CN5	A1
CN6	C2
CN7	D3
CN8	A2
EC38	B4
EC39	B4
FB27	B3
L3	C1
L4	C1
L5	C1
L6	C2
LL1	B3
Q31	C3
R100	C3
R101	C3
R102	C3
R103	B1
R104	B4
R105	B1
R106	B1
R107	B1
R109	B1
R23	A2
R81	B1
R82	B1
R83	B1
R87	B1
R93	A2
R99	C3

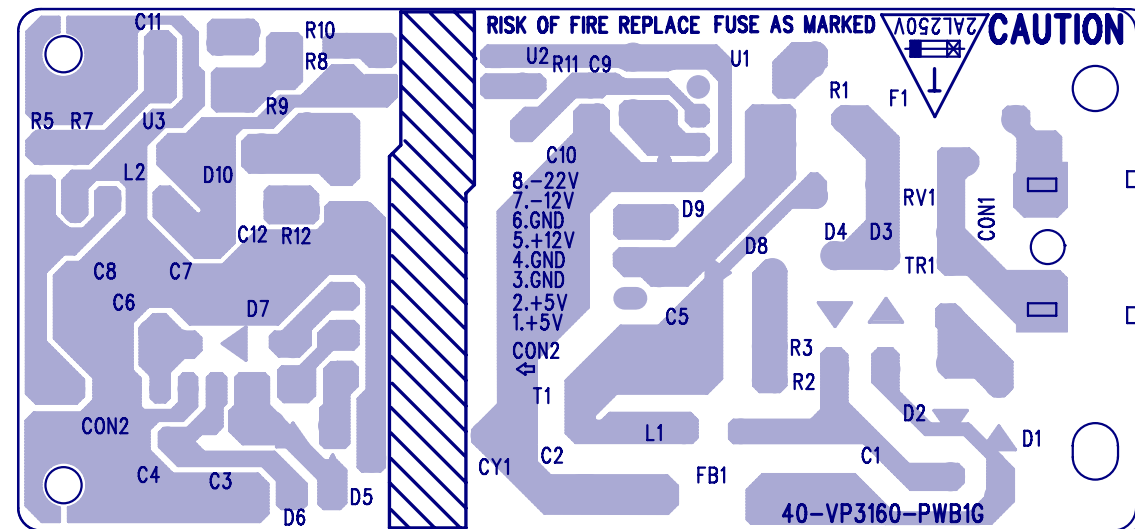
Front Board & Switch Board Print_Layout (Bottom Side) for DVP1120/55/93/98



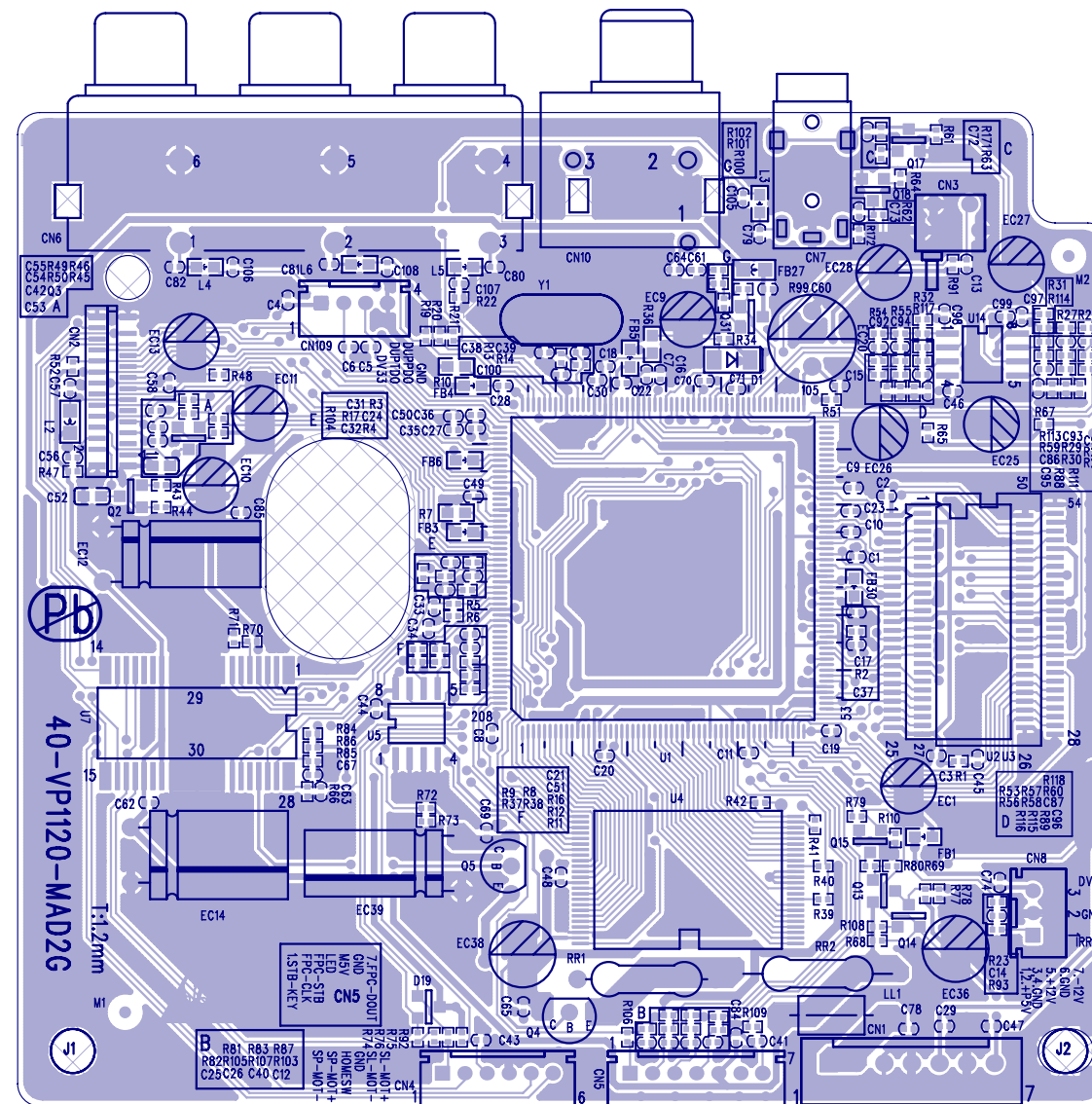
Infrared Board Print_Layout (Bottom Side) for DVP1120/55/93/98



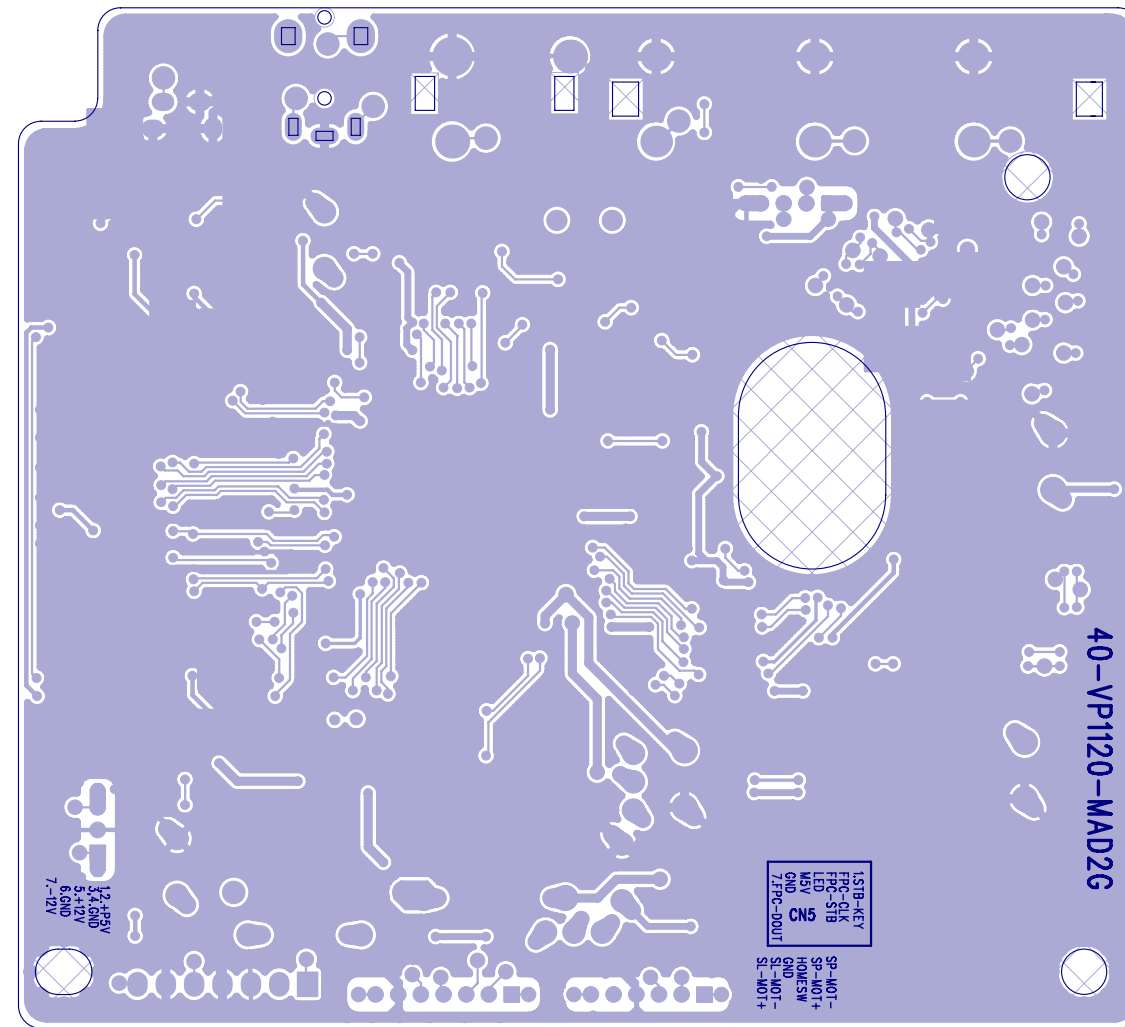
Power Board Print_Layout (Bottom Side) for DVP1120/55/93/98



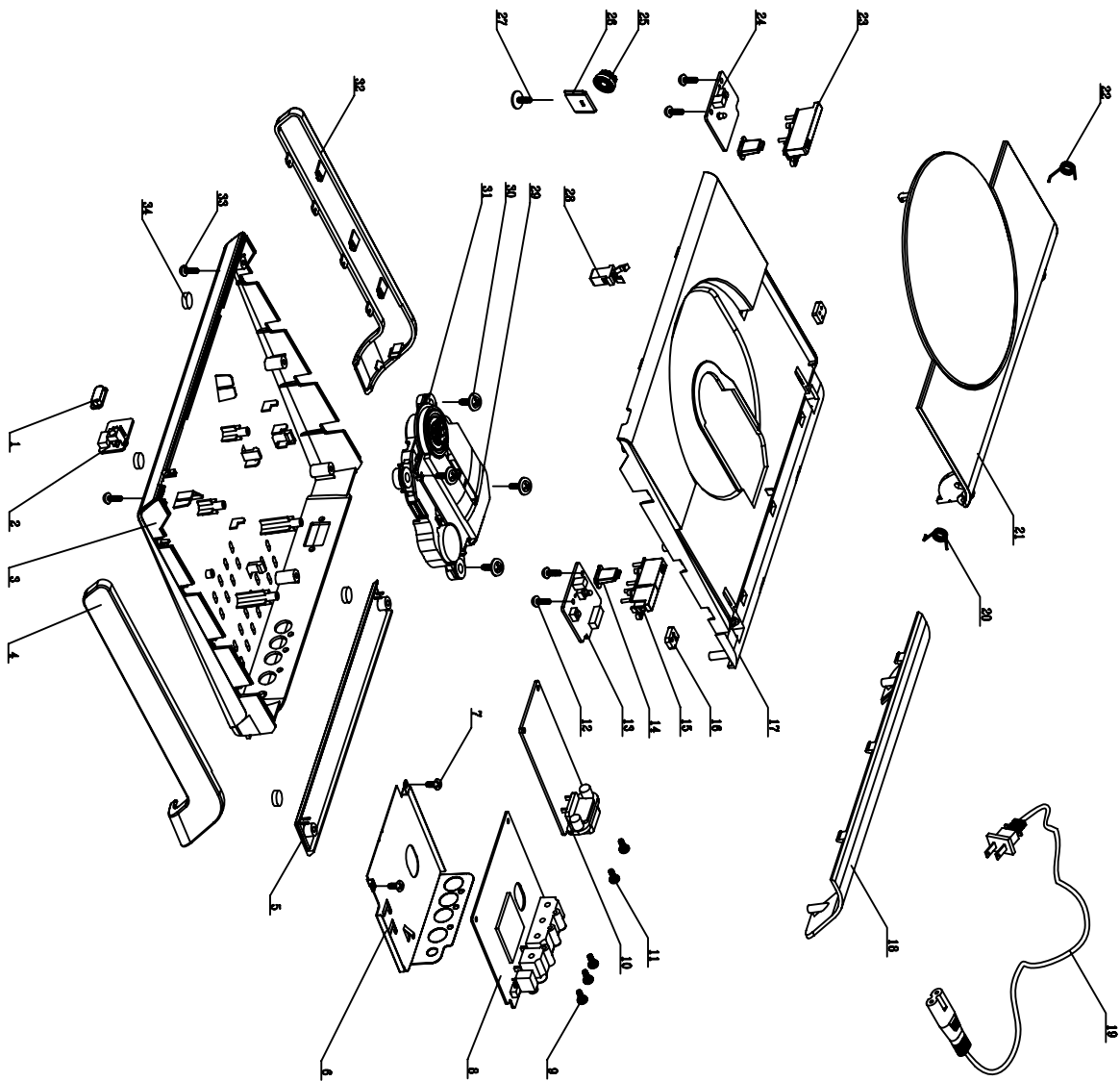
Main Board Print_Layout (Top Side) for DVP1120/55/93/98



Main Board Print_Layout (Bottom Side) for DVP1120/55/93/98



DVP1120/55/93/98 Mechanical Exploded View

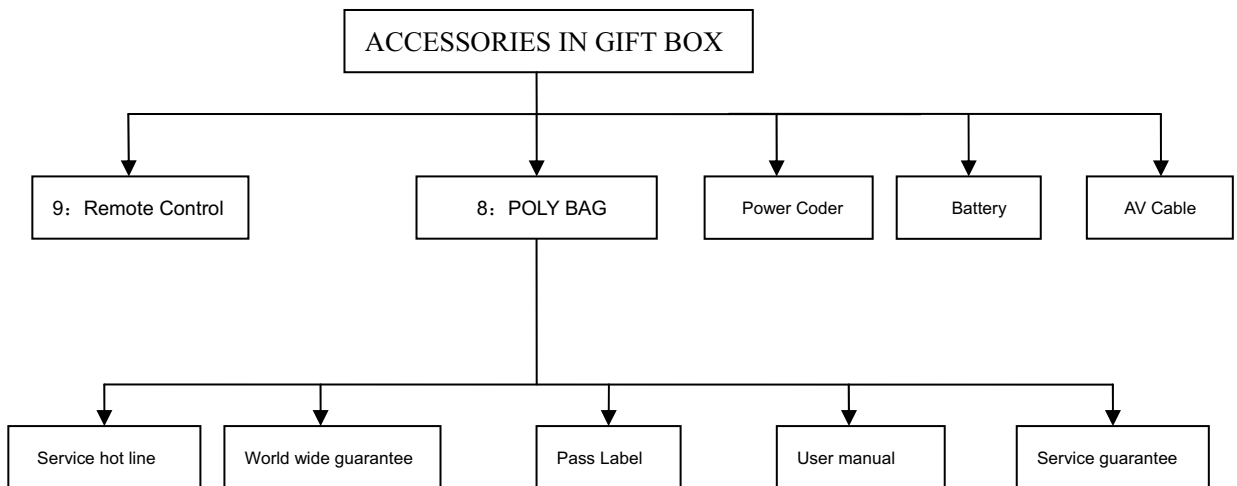
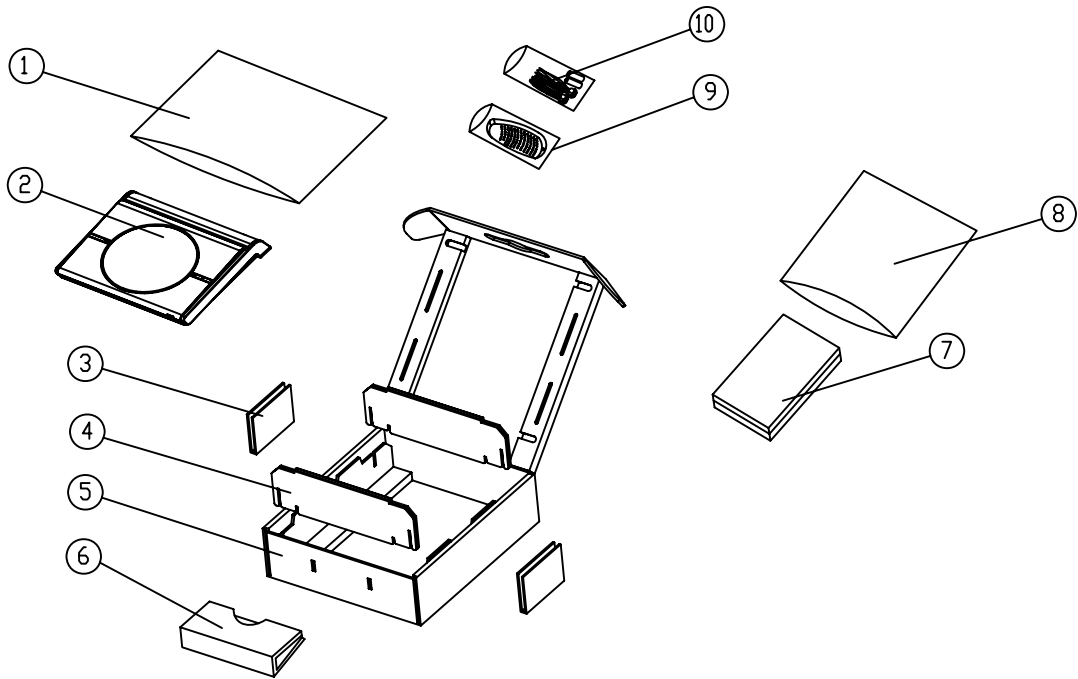


It's a general Mechanical Exploded View for DVP1120/55/93/98,
Detailed information please refer to Model set.

A1 is assembled by loaction 3,4,5,32

A2 is assembled by loaction 14,15,16,17,20,21,22,23,25,26,27,28

DVP1120/93 Packing View



**ENCASING & ACCESSORIES PARTS LIST**

No	12NC No.	Part Name	Q'ty
1	996510008515	LENS for DVP1120/55/93/98	1
2	996510008501	ASS'Y- IR BD for DVP1120/55/93/98	1
A1	996510008512	ASS'Y- BOTTOM CABINET for DVP1120/55/93/98	1
6	-	Shield cover for DVP1120/55	1
8	996510008498	ASS'Y- MAIN BD for DVP1120/55	1
	996510009513	ASS'Y- MAIN BD for DVP1120/93	
	996510009509	ASS'Y- MAIN BD for DVP1120/98	
10	996510008499	ASS'Y- PW BD for DVP1120/55/93/98	1
13	996510008502	ASS'Y- FK BD for DVP1120/55/93/98	1
A2	996510008513	ASS'Y - FRONT CABINET for DVP1120/55/93/98	1
18	996510008514	REAR CABINET for DVP1120/55/93/98	1
19	996510001175	POWER CORD for DVP1120/55	1
	996510009517	POWER CORD for DVP1120/93	
	996510001537	POWER CORD for DVP1120/98	
24	996510008500	ASS'Y- SW BD for DVP1120/55/93/98	1
29	996500035358	DVD LOADER for DVP1120/55/93/98	1
31	996510005532	RUBBER PAD for DVP1120/55/93/98	1
34	996520032686	PAD	1

Accessories parts

BATTERY -		BAT 1.5V/R03/AAA 1-PACK	2
FUSE	996510001780	FUSE 2A 250V 5X20MM	1
	996510008988	WORLD-WIDE GUARANTEE	
IFU	996510008509	OPERATION MANUAL for DVP1120/55	1
	996510009515	OPERATION MANUAL for DVP1120/93	
	996520032701	OPERATION MANUAL for DVP1120/98	
	996520032687	POLYBAG for DVP1120/55/93/98	
D-BOX	996520032688	DISPLAY BOX for DVP1120/55	1
	996510009516	DISPLAY BOX for DVP1120/93	
	996520032700	DISPLAY BOX for DVP1120/98	
RC	996510001806	REMOTE CONTROL for DVP1120/55/93/98	1

SCREW LIST

No	12NC No.	Part Name	Q'ty
7	-	S/T Screw B2.6X8 BF	3
9	-	S/T SCREW B 3 X 8 BF	3
11	-	S/T SCREW B 3 X 8 BF	2
12	-	S/T Screw B2.6X8 BF	2
30	-	S/T screw	4
33	-	S/T SCREW B 2.6 X 8 BF	7

Connector parts

GND-WIRE	996510009514	BLACK GND-WIRE	1
AUDIO-CAB	996510008503	AUDIO CABLE	1
-	996500013967	WIRE BARE JUMPER 7.5MM	1
-	996510005208	CABLE 24PIN FLAT WIRE	1
CON3	996510008504	7P HS TJC3-7Y/SCN-7P L=280MM	1
CON301	996510008505	7PIN HS PH-7Y/SAN-7P L=220	1
CON302	996510008506	4PIN HS PH-4Y/SAN-4P L=220	1
CN201	996510008507	3PIN HS PH-3Y/JC20-3P L=160	1
CN4	996510008508	6PIN HS PH-6Y/PH-6Y L=40MM	1

REVISION LIST

Version 1.0

* Initial release

Version 1.1

*Include /93/98 for DVP1120 models